

阅读申明

- 1.本站收集的数据手册和产品资料都来自互联网，版权归原作者所有。如读者和版权方有任何异议请及时告之，我们将妥善解决。
- 2.本站提供的中文数据手册是英文数据手册的中文翻译，其目的是协助用户阅读，该译文无法自动跟随原稿更新，同时也可能存在翻译上的不当。建议读者以英文原稿为参考以便获得更精准的信息。
- 3.本站提供的产品资料，来自厂商的技术支持或者使用者的心得体会等，其内容可能存在描述上的差异，建议读者做出适当判断。
- 4.如需与我们联系，请发邮件到marketing@iczoom.com，主题请标有“数据手册”字样。

Read Statement

1. The datasheets and other product information on the site are all from network reference or other public materials, and the copyright belongs to the original author and original published source. If readers and copyright owners have any objections, please contact us and we will deal with it in a timely manner.
2. The Chinese datasheets provided on the website is a Chinese translation of the English datasheets. Its purpose is for reader's learning exchange only and do not involve commercial purposes. The translation cannot be automatically updated with the original manuscript, and there may also be improper translations. Readers are advised to use the English manuscript as a reference for more accurate information.
3. All product information provided on the website refer to solutions from manufacturers' technical support or users the contents may have differences in description, and readers are advised to take the original article as the standard.
4. If you have any questions, please contact us at marketing@iczoom.com and mark the subject with "Datasheets" .



Wireless Components

3-Band TV Tuner IC

TUA6030, TUA6032 Version 2.2

Specification January 2002

Revision History: Current Version: Preliminary Data Sheet, V1.1, August 2000		
Previous Version: Target Data Sheet, V1.0, November 1999		
Page (in previous Version)	Page (in current Version)	Subjects (major changes since last revision)
all	all	Version to V1.1, status to preliminary.
Product Info	Product Info	Ordering code added.
4-2	4-2	Div. components changed.
4-3	4-3	Div. components changed.
5-2	5-2	Junction temperature and storage temperature +125 °C max.
5-5	5-5	Bus inputs SCL, SDA: $V_{IH} = 2.3$ V.
5-8, 5-9, 5-10	5-8, 5-9, 5-10	Input conductance, input capacitance corrected.
5-10	5-10	Phase noise @ ± 1 kHz frequency offset deleted. Phase noise, LOW band oscillator: $\Phi_{OSC} = 92$ dBc/Hz min @ ± 10 kHz. Phase noise, MID band oscillator: $\Phi_{OSC} = 92$ dBc/Hz min @ ± 10 kHz.
5-11	5-11	Phase noise @ ± 1 kHz frequency offset deleted. Phase noise, HIGH band oscillator: $\Phi_{OSC} = 87$ dBc/Hz min.
5-14	5-14	Table 5-5, Description of Symbols: CP and OS 'default' added.
5-15	5-15	Table 5-5, Test Modes: Normal operation 'default' added.
5-14	5-14	Table 5-5, Description of Symbols: CP and OS 'default' added.
5-15	5-15	Table 5-5, Test Modes: Normal operation 'default' added.
5-16	5-16	Table 5-10, A to D converter levels, footnote 'No erratic codes in the transition' added, Table 5-1, Defaults at power-on reset, Auxiliary byte, bit5 = 1.
5-18, 5-19, 5-20	5-18, 5-19, 5-20	Smith charts added.
div	div	Tbf's replaced.
Revision History: Current Version: Data Sheet, V2.0, March 2001		
Previous Version: Preliminary Data Sheet, V1.1, August 2000		
all	all	Version to V2.0, preliminary deleted.
3-3	3-3	LOW-/MID Oscillator: DC levels corrected.
4-2, 4-3	4-2, 4-3	Application circuits modified.
5-2	5-2	New definition of thermal properties.
5-6	5-6, 5-7	Saturation Voltages for P0, 2, 3 added.
5-11	5-11	AGC take-over point: Min/max values added. Mixer output impedance: Values added.

Revision History: Current Version: Preliminary Data Sheet, V1.1, August 2000		
5-11, 5-12	5-11, 5-12	Phase noise corrected.
5-16	5-16	Table 5-1, Defaults at power-on reset, Auxiliary byte, bit5 = 1.
5-18	5-18	More telegram examples.
Revision History: Current Version: Data Sheet, V2.1, July 2001		
Previous Version: Preliminary Data Sheet, V2.0, March 2001		
all	all	Mirror imaged version TUA6032 added.
Revision History: Current Version: Data Sheet, V2.2, Jan 2002		
Previous Version: Data Sheet, V2.1, July 2001		
Prod. Info	Prod. Info	Ordering code of TUA6032 added.

ABM®, AOP®, ARCOFI®, ARCOFI®-BA, ARCOFI®-SP, DigiTape®, EPIC®-1, EPIC®-S, ELIC®, FALC®54, FALC®56, FALC®-E1, FALC®-LH, IDEC®, IOM®, IOM®-1, IOM®-2, IPAT®-2, ISAC®-P, ISAC®-S, ISAC®-S TE, ISAC®-P TE, ITAC®, IWE®, MUSAC®-A, OCTAT®-P, QUAT®-S, SICAT®, SICOFI®, SICOFI®-2, SICOFI®-4, SICOFI®-4µC, SLICOFI® are registered trademarks of Infineon Technologies AG.

ACE™, ASM™, ASP™, POTSWIRE™, QuadFALC™, SCOUT™ are trademarks of Infineon Technologies AG.

Edition 03.99

Published by Infineon Technologies AG

Balanstraße 73,

81541 München

© Infineon Technologies AG 04.01.02.

All Rights Reserved.

Attention please!

As far as patents or other rights of third parties are concerned, liability is only assumed for components, not for applications, processes and circuits implemented within components or assemblies.

The information describes the type of component and shall not be considered as assured characteristics.

Terms of delivery and rights to change design reserved.

Due to technical requirements components may contain dangerous substances. For information on the types in question please contact your nearest Infineon Technologies Office.

Infineon Technologies AG is an approved CECC manufacturer.

Packing

Please use the recycling operators known to you. We can also help you – get in touch with your nearest sales office. By agreement we will take packing material back, if it is sorted. You must bear the costs of transport.

For packing material that is returned to us unsorted or which we are not obliged to accept, we shall have to invoice you for any costs incurred.

Components used in life-support devices or systems must be expressly authorized for such purpose!

Critical components¹ of the Infineon Technologies AG, may only be used in life-support devices or systems² with the express written approval of the Infineon Technologies AG.

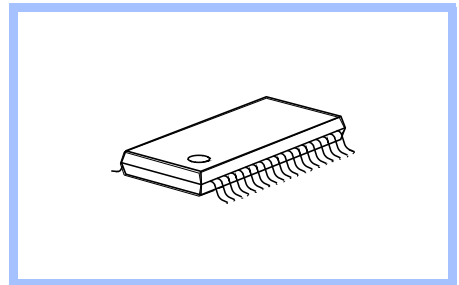
1 A critical component is a component used in a life-support device or system whose failure can reasonably be expected to cause the failure of that life-support device or system, or to affect its safety or effectiveness of that device or system.

2 Life support devices or systems are intended (a) to be implanted in the human body, or (b) to support and/or maintain and sustain human life. If they fail, it is reasonable to assume that the health of the user may be endangered.

Product Info

General Description The **TUA6030, TUA6032** devices combine a mixer-oscillator block with a digitally programmable phase locked loop (PLL) for use in TV and VCR tuners.

Package



Features **General**

- Suitable for PAL/NTSC and **Digital Video Broadcasting**
- Wideband AGC detector for internal tuner AGC
 - 5 programmable take-over points
 - 2 programmable time constants
- Full ESD protection

Mixer/Oscillator

- High impedance mixer input (common emitter) for LOW band
- Low impedance mixer input (common base) for MID band
- Low impedance mixer input (common base) for HIGH band
- 2 pin oscillator for LOW band
- 2 pin oscillator for MID band
- 4 pin oscillator for HIGH band

IF-Amplifier

- IF preamplifier with symmetrical 75 Ω output impedance able to drive a SAW filter (500 Ω /40 pF)

PLL

- 4 independent I²C addresses
- I²C bus protocol compatible with 3.3 V and 5V micro-controllers up to 400 kHz
- Short lock-in time
- High voltage VCO tuning output
- 4 PNP ports
- 3 NPN ports
- 1 NPN port/ADC input
- Internal LOW/MID/HIGH band switch
- Lock-in flag
- Programmable reference divider ratio (24, 64, 80, 128)
- Programmable charge pump current

Application

- The IC is suitable for PAL and NTSC tuners in TV- and VCR-sets or set-top receivers for analog TV and **Digital Video Broadcasting**.
- The AGC stage makes the tuner AGC independent of the Video-IF AGC.

Ordering Information

Type	Ordering Code	Package
TUA6030	Q67037-A1146 (tape and reel)	P-TSSOP-38
TUA6032	Q67037-A1 (tape and reel)	P-TSSOP-38

1

Table of Contents

1	Table of Contents	1-1
2	Product Description	2-7
2.1	Overview	2-8
2.2	Features	2-8
2.3	Application	2-9
2.4	Package Outlines	2-10
3	Functional Description	3-11
3.1	Pin Configuration	3-12
3.2	Pin Definition and Function	3-13
3.3	Block Diagram	3-19
3.4	Circuit Description	3-20
4	Applications	4-23
4-1	Application Circuit for NTSC	4-24
4-2	Application Circuit for PAL	4-25
5	Reference	5-26
5.1	Electrical Data	5-27
5.1.1	Absolute Maximum Ratings	5-27
5.1.2	Operating Range	5-29
5.1.3	AC/DC Characteristics	5-30
5.2	Programming	5-39
Table 5-4	Bit Allocation Read / Write	5-39
Table 5-5	Description of Symbols	5-39
Table 5-6	Address selection	5-40
Table 5-7	Test modes	5-40
Table 5-8	Reference divider ratios	5-40
Table 5-9	AGC take-over point	5-41
Table 5-10	A to D converter levels	5-41
Table 5-11	Defaults at power-on reset	5-41
Table 5-12	Internal band selection	5-41
5.3	I2C Bus Timing Diagram	5-43
5.4	Electrical Diagrams	5-44
5.4.1	Input admittance (S11) of the LOW band mixer (40 to 140 MHz) ..	5-44
5.4.2	Input impedance (S11) of the MID band mixer (150 to 455 MHz) ..	5-44
5.4.3	Input impedance (S11) of the HIGH band mixer (450 to 865 MHz) ..	5-45

5.4.4	Output admittance (S22) of the of the Mixer output (30 to 50 MHz) .	5-45
5.4.5	Output impedance (S22) of the IF amplifier (30 to 50 MHz)	5-46
5.5	Measurement Circuits	5-47
5.5.1	Gain (GV) measurement in LOW band	5-47
5.5.2	Gain (GV) measurement in MID and HIGH bands	5-47
5.5.3	Matching circuit for optimum noise figure in LOW band	5-48
5.5.4	Noise figure (NF) measurement in LOW band	5-48
5.5.5	Noise figure (NF) measurement in MID and HIGH bands	5-49
5.5.6	Cross modulation measurement in LOW band	5-49
5.5.7	Cross modulation measurement in MID and HIGH bands	5-50
5.5.8	Ripple susceptibility measurement	5-50

2 Product Description

Contents of this Chapter

2.1	Overview	2-8
2.2	Features	2-8
2.3	Application	2-9
2.4	Package Outlines	2-10

2.1 Overview

The **TUA6030, TUA6032** devices combine a mixer-oscillator block with a digitally programmable phase locked loop (PLL) for use in TV and VCR tuners.

The mixer-oscillator block includes three balanced mixers (one mixer with an unbalanced high-impedance input and two mixers with a balanced low-impedance input), two 2-pin asymmetrical oscillators for the LOW and the MID band, one 4-pin symmetrical oscillator for the HIGH band, an IF amplifier, a reference voltage, and a band switch.

The PLL block with four independently selectable chip addresses forms a digitally programmable phase locked loop. With a 4 MHz quartz crystal, the PLL permits precise setting of the frequency of the tuner oscillator up to 1024 MHz in increments of 31.25, 50, 62.5 or 166.7 kHz. The tuning process is controlled by a microprocessor via an I²C bus. The device has 8 output ports, one of them (P6) can also be used as ADC input port. A flag is set when the loop is locked. The lock flag can be read by the processor via the I²C bus.

2.2 Features

General

- Suitable for PAL/NTSC and Digital Video Broadcasting
- Wideband AGC detector for internal tuner AGC
 - 5 programmable take-over points
 - 2 programmable time constants
- Full ESD protection

Mixer/Oscillator

- High impedance mixer input (common emitter) for LOW band
- Low impedance mixer input (common base) for MID band
- Low impedance mixer input (common base) for HIGH band
- 2 pin oscillator for LOW band
- 2 pin oscillator for MID band
- 4 pin oscillator for HIGH band

IF-Amplifier

- IF preamplifier with symmetrical 75 Ω output impedance able to drive a SAW filter (500 Ω //40 pF)

PLL

- 4 independent I²C addresses
- I²C bus protocol compatible with 3.3 V and 5V micro-controllers up to 400 kHz

- Short lock-in time
- High voltage VCO tuning output
- 4 PNP ports
- 3 NPN ports
- 1 NPN port/ADC input
- Internal LOW/MID/HIGH band switch
- Lock-in flag
- Programmable reference divider ratio (24, 64, 80, 128)
- Programmable charge pump current

2.3 Application

- The IC is suitable for PAL and NTSC tuners in TV- and VCR-sets or cable set-top receivers for analog TV and Digital Video Broadcasting.
- The AGC stage makes the tuner AGC independent of the Video-IF AGC.

Recommended band limits in MHz:

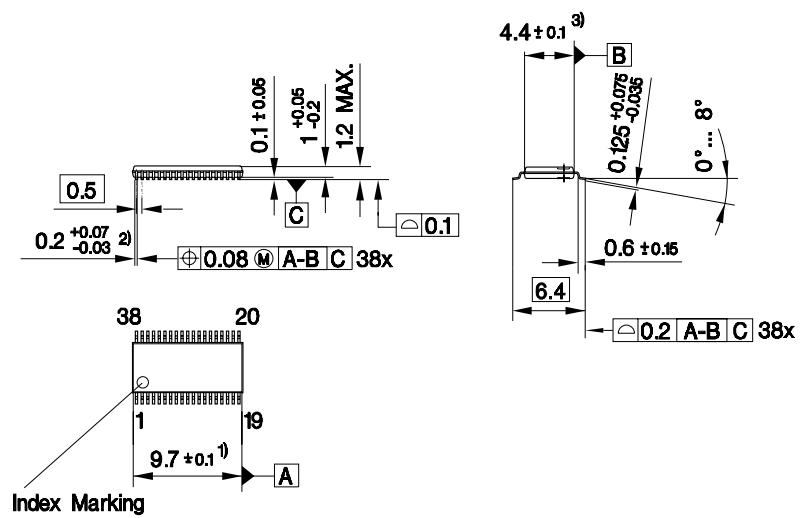
Table 2-1 NTSC tuners				
Band	RF input		Oscillator	
	min	max	min	max
LOW	55.25	127.25	101	173
MID	133.25	361.25	179	407
HIGH	367.25	801.25	413	847

Table 2-2 PAL tuners				
Band	RF input		Oscillator	
	min	max	min	max
LOW	44.25	154.25	83.15	193.15
MID	161.25	439.25	200.15	478.15
HIGH	447.25	863.25	486.15	902.15

Note: Tuning margin of ± 3 MHz not included.

2.4 Package Outlines

P-TSSOP-38



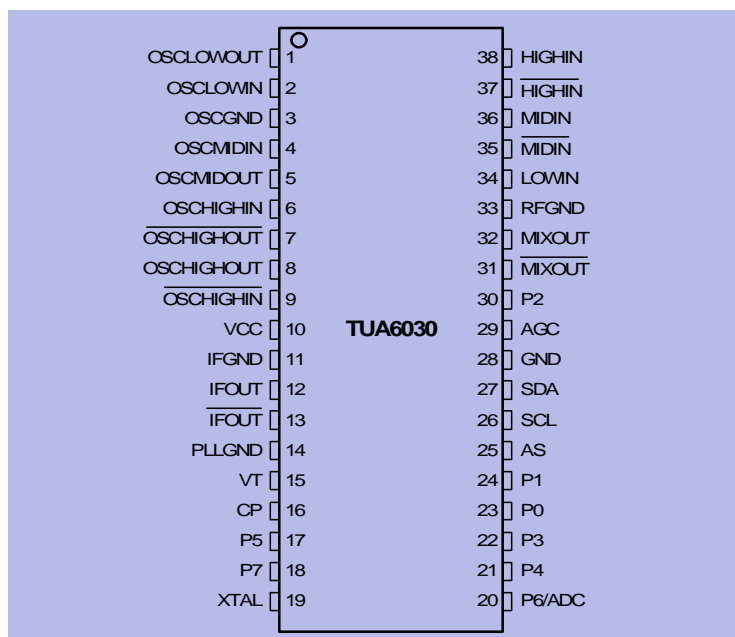
- 1) Does not include plastic or metal protrusion of 0.15 max. per side
- 2) Does not include dambar protrusion of 0.08 max. per side
- 3) Does not include plastic or metal protrusion of 0.25 max. per side

3 Functional Description

Contents of this Chapter

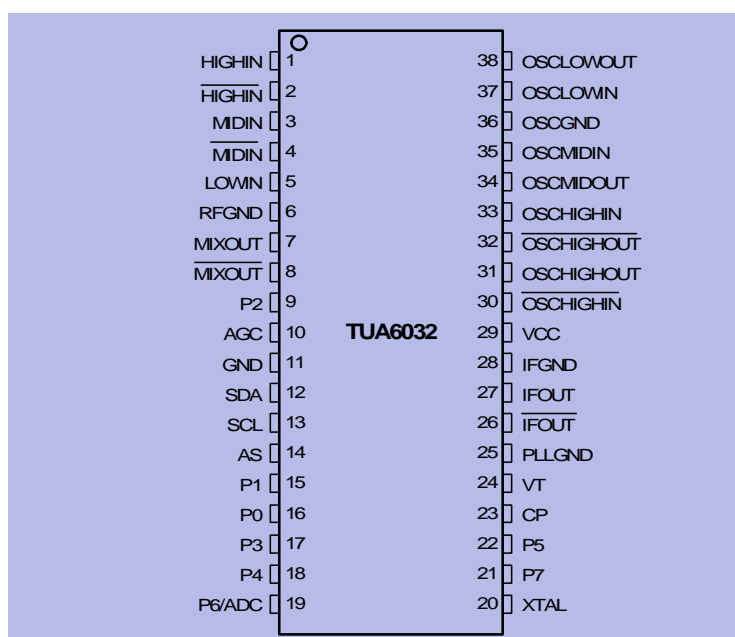
3.1	Pin Configuration	3-12
3.2	Pin Definition and Function.....	3-13
3.3	Block Diagram	3-19
3.4	Circuit Description.....	3-20

3.1 Pin Configuration



TUA6030 Pin_config

Figure 3-1 Pin Configuration TUA6030



TUA6032 Pin_config

Figure 3-2 Pin Configuration TUA6032

3.2 Pin Definition and Function

Remark: First pin number refers to TUA6030, second to TUA6032

Table 3-1 Pin Definition and Function

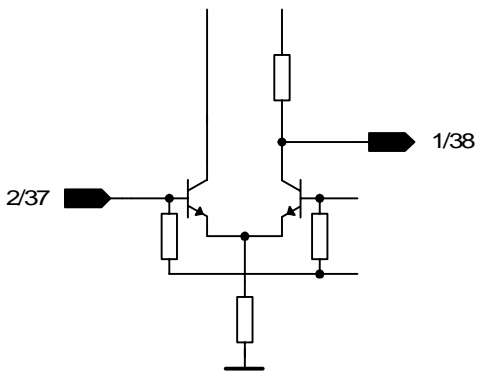
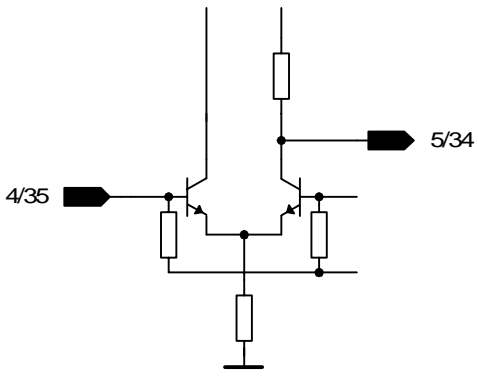
Pin No.	Symbol	Equivalent I/O-Schematic	Average DC voltage		
			LOW	MID	HIGH
1/38	OSCLOWOUT		2.2 V		
2/37	OSCLOWIN		1.5 V		
3/36	OSCGND	oscillator ground	0.0 V	0.0 V	0.0 V
4/35	OSCMIDIN			1.5 V	
5/34	OSCMIDOUT			2.2 V	

Table 3-1 Pin Definition and Function (continued)

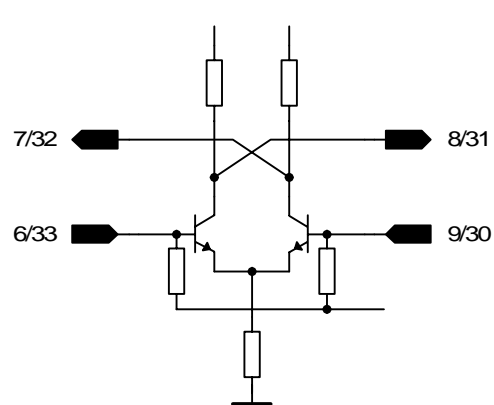
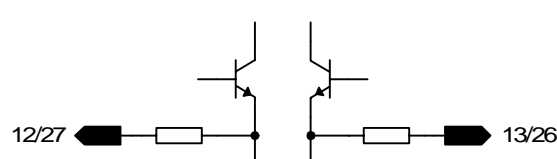
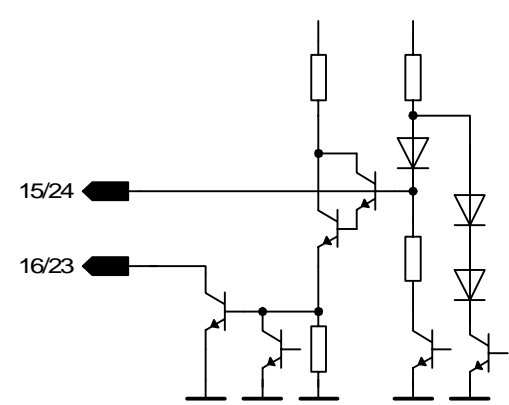
Pin No.	Symbol	Equivalent I/O-Schematic	Average DC voltage		
			LOW	MID	HIGH
6/33	OSCHIGHIN				1.8 V
7/32	$\overline{\text{OSCHIGOUT}}$				2.2 V
8/31	OSCHIGOUT				2.2 V
9/30	$\overline{\text{OSCHIGHIN}}$				1.8 V
10/29	VCC	supply voltage	5.0 V	5.0 V	5.0 V
11/28	IFGND	IF ground	0.0 V	0.0 V	0.0 V
12/27	IFOUT		2.1 V	2.1 V	2.1 V
13/26	$\overline{\text{IFOUT}}$		2.1 V	2.1 V	2.1 V
14/25	PLLGND	PLL ground	0.0 V	0.0 V	0.0 V
15/24	VT		VT	VT	VT
16/23	CP		1.9 V	1.9 V	1.9 V

Table 3-1 Pin Definition and Function (continued)

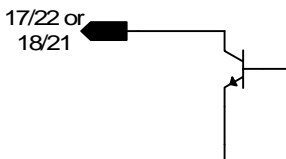
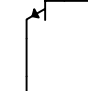
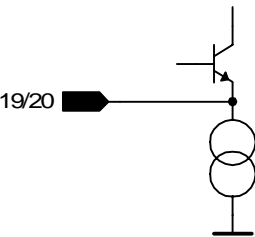
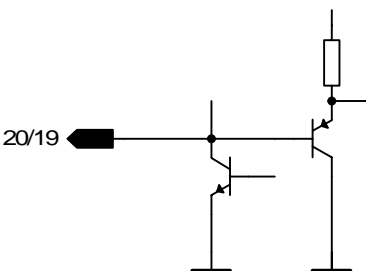
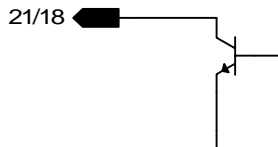
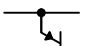
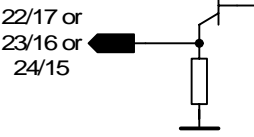
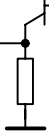
Pin No.	Symbol	Equivalent I/O-Schematic	Average DC voltage		
			LOW	MID	HIGH
17/22	P5		5 V or V_{CE}	5 V or V_{CE}	5 V or V_{CE}
18/21	P7		5 V or V_{CE}	5 V or V_{CE}	5 V or V_{CE}
19/20	XTAL		3.3 V	3.3 V	3.3 V
20/19	P6/ADC		5 V or V_{CE}	5 V or V_{CE}	5 V or V_{CE}
21/18	P4		5 V or V_{CE}	5 V or V_{CE}	5 V or V_{CE}
22/17	P3		n.a.	n.a.	0 V or $V_{CC} - V_{CE}$
23/16	P0		$V_{CC} - V_{CE}$	n.a.	n.a.
24/15	P1		n.a.	$V_{CC} - V_{CE}$	n.a.

Table 3-1 Pin Definition and Function (continued)

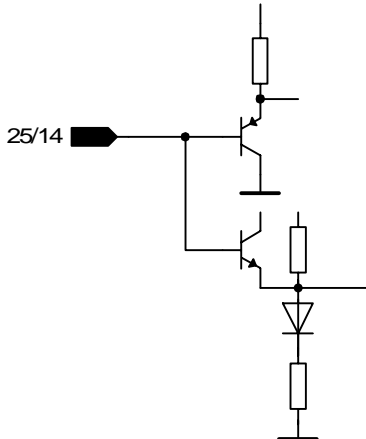
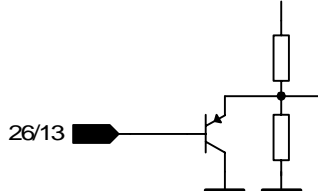
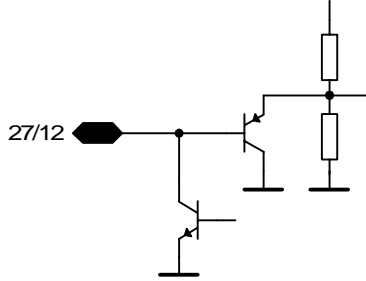
Pin No.	Symbol	Equivalent I/O-Schematic	Average DC voltage		
			LOW	MID	HIGH
25/14	AS		V_{AS}	V_{AS}	V_{AS}
26/13	SCL		n.a.	n.a.	n.a.
27/12	SDA		n.a.	n.a.	n.a.
28/11	GND	ground	0.0	0.0	0.0

Table 3-1 Pin Definition and Function (continued)

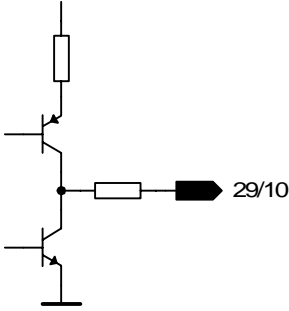
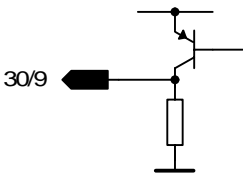
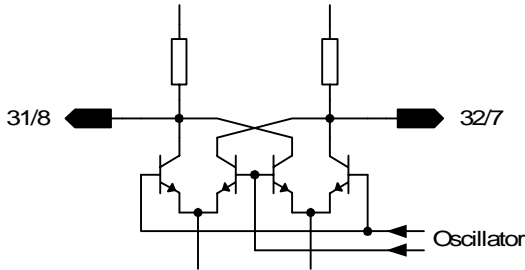
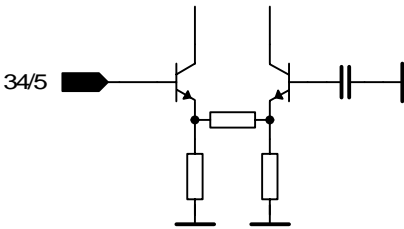
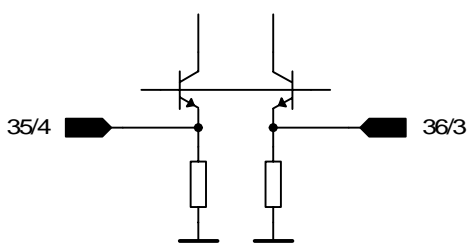
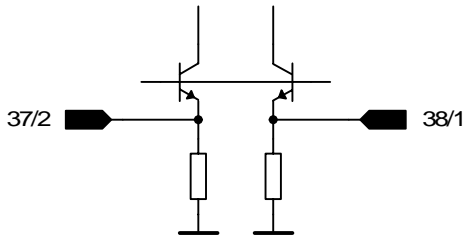
Pin No.	Symbol	Equivalent I/O-Schematic	Average DC voltage		
			LOW	MID	HIGH
29/10	AGC		3.0 V	3.0 V	3.0 V
30/9	P2		n.a.	n.a.	0 V or $V_{CC} - V_{CE}$
31/8	MIXOUT		4.0 V	4.0 V	4.0 V
32/7	MIXOUT		4.0 V	4.0 V	4.0 V
33/6	RFGND	IF ground	0.0 V	0.0 V	0.0 V
34/5	LOWIN		1.9 V		

Table 3-1 Pin Definition and Function (continued)

Pin No.	Symbol	Equivalent I/O-Schematic	Average DC voltage		
			LOW	MID	HIGH
35/4	$\overline{\text{MIDIN}}$			0.75 V	
36/3	MIDIN			0.75 V	
37/2	$\overline{\text{HIGHIN}}$				0.75 V
38/1	HIGHIN				0.75 V

3.4 Circuit Description

3.4.1 Mixer-Oscillator block

The mixer-oscillator block includes three balanced mixers (one mixer with an unbalanced high-impedance input and two mixers with a balanced low-impedance input), two 2-pin asymmetrical oscillators for the LOW and the MID band, one 4-pin symmetrical oscillator for the HIGH band, an IF amplifier, a reference voltage, and a band switch.

Filters between tuner input and IC separate the TV frequency signals into three bands. The band switching in the tuner front-end is done by using three PNP port outputs. In the selected band the signal passes a tuner input stage with a MOSFET amplifier, a double-tuned bandpass filter and is then fed to the mixer input of the IC which has in case of LOW band a high-impedance input and in case of MID or HIGH band a low-impedance input. The input signal is mixed there with the signal from the activated on chip oscillator to the IF frequency which is filtered out at the balanced mixer output pair by means of a parallel tuned circuit. The following IF amplifier is capacitively coupled to the mixer outputs and has a low output impedance to drive the SAW filter directly.

3.4.2 PLL block

The oscillator signal is internally DC-coupled as a differential signal to the programmable divider inputs. The signal subsequently passes through a programmable divider with ratio $N = 256$ through 32767 and is then compared in a digital frequency/phase detector with a reference frequency $f_{\text{ref}} = 31.25, 50, 62.5$ or 166.7 kHz. This frequency is derived from an unbalanced, low-impedance 4 MHz crystal oscillator (pin XTAL) divided by 128, 80, 64 or 24. The reference frequencies will be different with a quartz other than 4 MHz.

The phase detector has two outputs which drive two current sources of a charge pump. If the negative edge of the divided VCO signal appears prior to the negative edge of the reference signal, the positive current source pulses for the duration of the phase difference. In the reverse case the negative current source pulses. If the two signals are in phase, the charge pump output (CP) goes into the high-impedance state (PLL is locked). An active low-pass filter integrates the current pulses to generate the tuning voltage for the VCO (internal amplifier, external pull-up resistor at VT and external RC circuitry). The charge pump output is also switched into the high-impedance state if the control bits T2, T1, T0 = 0, 1, 0. Here it should be noted, however, that the tuning voltage can alter over a long period in the high impedance state as a result of self discharge in the peripheral circuitry. VT may be switched off by the control bit OS to allow external adjustments.

If the VCO is not oscillating the PLL locks to a tuning voltage of 33V (V_{TH}).

By means of control bit CP the pump current can be switched between two values by software. This programmability permits alteration of the control response of the PLL in the locked-in state. In this way different VCO gains can be compensated, for example.

The software controlled ports P0 to P7 are general purpose open-collector outputs. The test bits T2, T1, T0 = 1, 0, 0 switch the test signals f_{div} (divided input signal) and f_{ref} (i.e. 4 MHz / 64) to P4 and P5 respectively.

The lock detector resets the lock flag FL if the width of the charge pump current pulses is greater than the period of the crystal oscillator (i.e. 250 ns). Hence, if FL = 1, the maximum deviation of the input frequency from the programmed frequency is given by

$$\Delta f = \pm I_P * (K_{VCO} / f_{XTAL}) * (C1+C2) / (C1*C2)$$

where I_P is the charge pump current, K_{VCO} the VCO gain, f_{xtal} the crystal oscillator frequency and C_1, C_2 the capacitances in the loop filter ([Chapter 4](#)). As the charge pump pulses at i.e. 62.5 kHz (= f_{ref}), it takes a maximum of 16 μ s for FL to be reset after the loop has lost lock state.

Once FL has been reset, it is set only if the charge pump pulse width is less than 250 ns for eight consecutive f_{ref} periods. Therefore it takes between 128 and 144 μ s for FL to be set after the loop regains lock.

3.4.3 AGC

The wide-band AGC stage detects the level of the IF output signal and generates an AGC voltage for gain control of the tuner input transistors. The AGC take-over and the time constant are selectable by the I²C bus.

3.4.4 I²C-Bus Interface

Data is exchanged between the processor and the PLL via the I²C bus. The clock is generated by the processor (input SCL). Pin SDA functions as an input or output depending on the direction of the data (open collector, external pull-up resistor). Both inputs have a hysteresis and a low-pass characteristic, which enhance the noise immunity of the I²C bus.

The data from the processor pass through an I²C bus controller. Depending on their function the data are subsequently stored in registers. If the bus is free, both lines will be in the marking state (SDA, SCL are high). Each telegram begins with the start condition and ends with the stop condition. Start condition: SDA goes low, while SCL remains high. Stop condition: SDA goes high while

SCL remains high. All further information transfer takes place during SCL = low, and the data is forwarded to the control logic on the positive clock edge.

The table 'Bit Allocation' (see [Table 5-4 Bit Allocation Read / Write on page 39](#)) should be referred to for the following description. All telegrams are transmitted byte-by-byte, followed by a ninth clock pulse, during which the control logic returns the SDA line to low (acknowledge condition). The first byte is comprised of seven address bits. These are used by the processor to select the PLL from several peripheral components (address select). The LSB bit (R/W) determines whether data are written into (R/W = 0) or read from (R/W = 1) the PLL.

In the data portion of the telegram during a WRITE operation, the MSB bit of the first or third data byte determines whether a divider ratio or control information is to follow. In each case the second byte of the same data type has to follow the first byte. Appropriate setting of the test bits will decide whether the band-switch byte or the auxiliary byte will be transmitted (see [Table 5-7 Test modes on page 40](#)).

If the address byte indicates a READ operation, the PLL generates an acknowledge and then shifts out the status byte onto the SDA line. If the processor generates an acknowledge, a further status byte is output; otherwise the data line is released to allow the processor to generate a stop condition. The status word consists of three bits from the A/D converter, the lock flag and the power-on flag.

Four different chip addresses can be set by an appropriate DC level at pin AS (see [Table 5-6 Address selection on page 40](#)).

While the supply voltage is applied, a power-on reset circuit prevents the PLL from setting the SDA line to low, which would block the bus. The power-on reset flag POR is set at power-on and if V_{CC} falls below 3.2 V. It will be reset at the end of a READ operation.

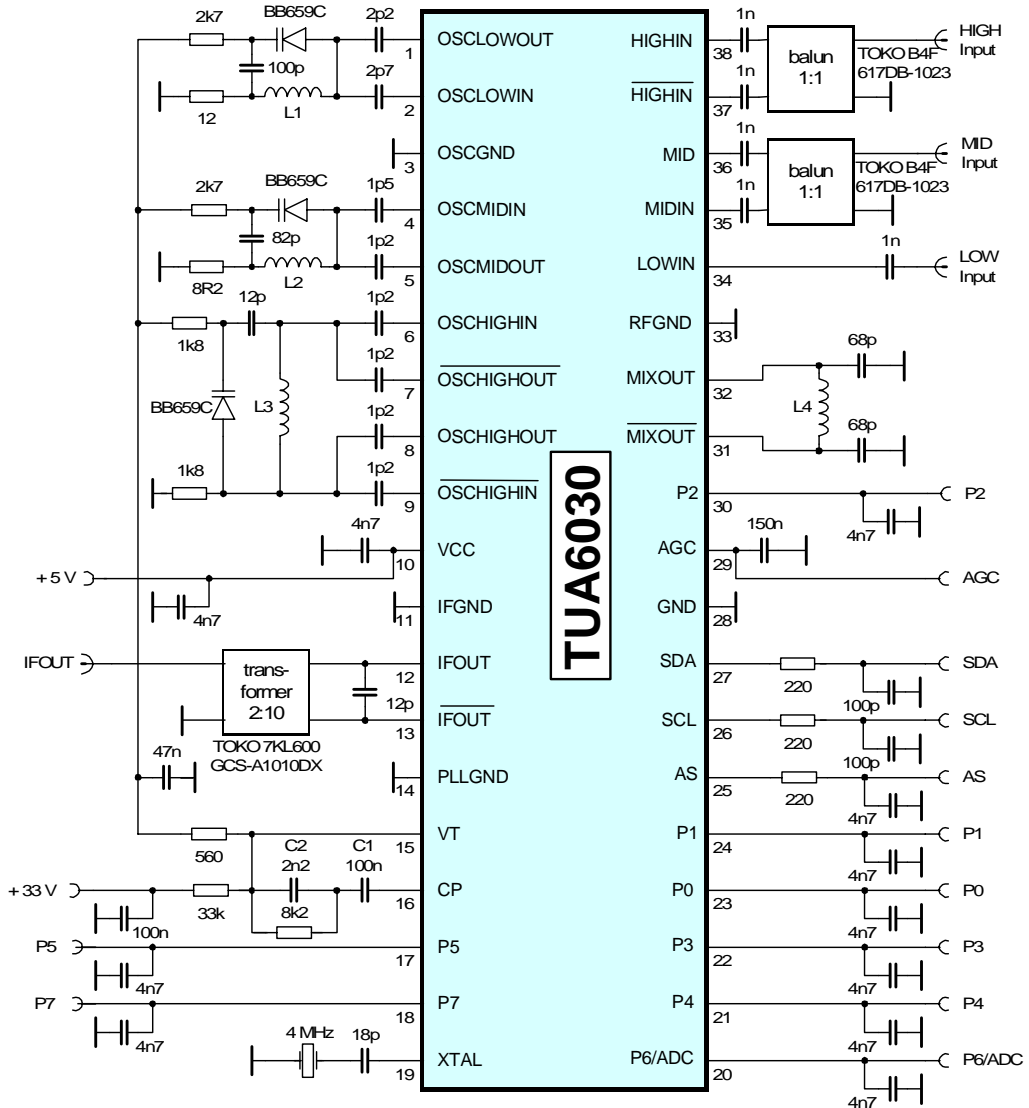
4 Applications

Contents of this Chapter

4.1	Circuits	4-24
4-1	Application Circuit for NTSC	4-24
4-2	Application Circuit for PAL	4-25

4.1 Circuits

Remark: Pinning refers to TUA6030



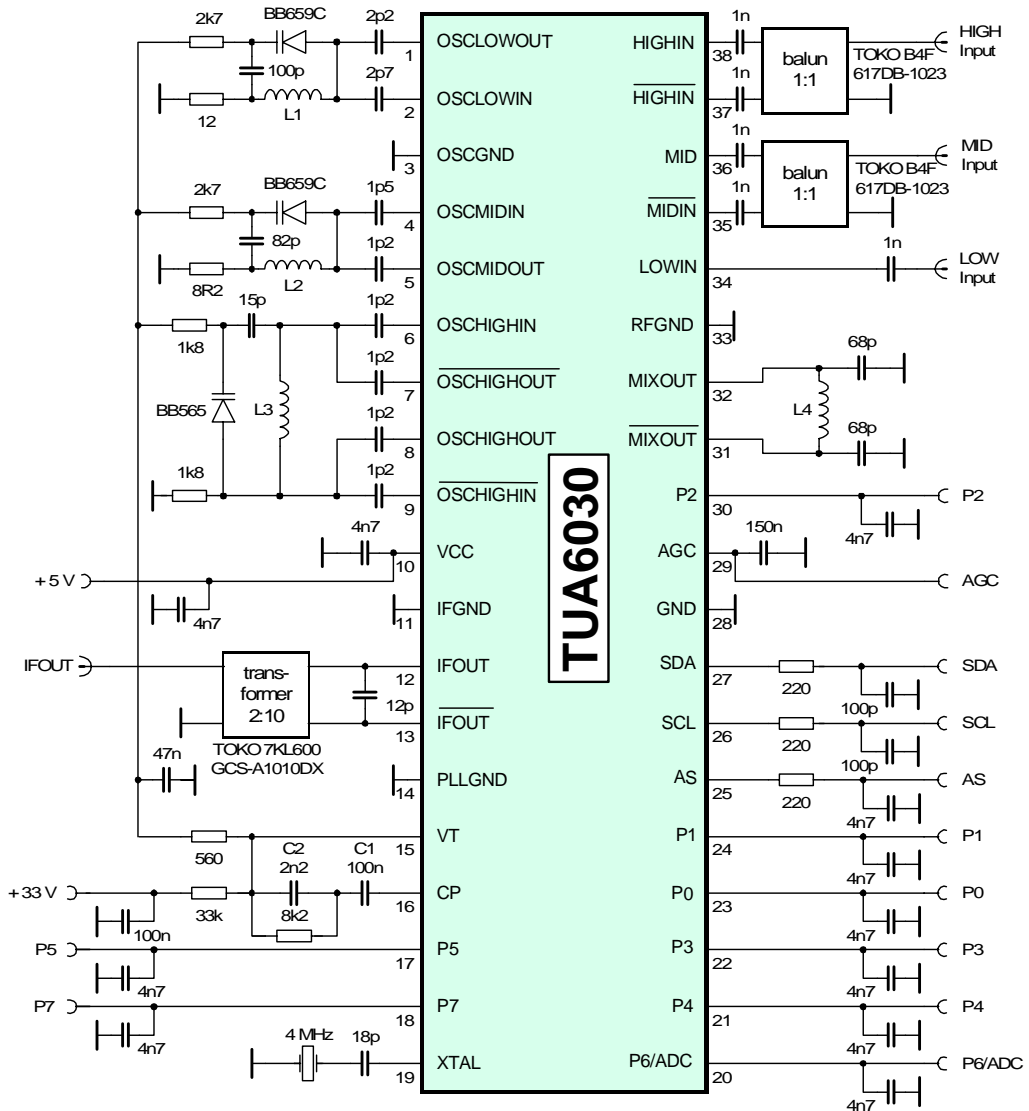
App Circuit Ntsc

Figure 4-1 Application Circuit for NTSC

Recommended band limits in MHz				
	RF input		Oscillator	
	min	max	min	max
LOW	55.25	127.25	101	173
MID	133.25	361.25	179	407
HIGH	367.25	801.25	413	847

	Coils		
	turns	∅	wire ∅
L1	8.5	3.2 mm	0.5 mm
L2	3.5	2.5 mm	0.5 mm
L3	1.5	2.4 mm	0.5 mm
L4	12.5	3.5 mm	0.3 mm

Remark: Pinning refers to TUA6030



App Circuit PAL

Figure 4-2 Application Circuit for PAL

Recommended band limits in MHz				
	RF input		Oscillator	
	min	max	min	max
LOW	44.25	154.25	83.15	193.15
MID	161.25	439.25	200.15	478.15
HIGH	447.25	863.25	486.15	902.15

Coils			
	turns	∅	wire ∅
L1	8.5	3.2 mm	0.5 mm
L2	2.5	3 mm	0.5 mm
L3	1.5	2.4 mm	0.5 mm
L4	14.5	4 mm	0.3 mm

5 Reference

Contents of this Chapter

5.1	Electrical Data	5-27
5.1.1	Absolute Maximum Ratings	5-27
5.1.2	Operating Range	5-29
5.1.3	AC/DC Characteristics	5-30
5.2	Programming	5-39
Table 5-4	Bit Allocation Read / Write	5-39
Table 5-5	Description of Symbols	5-39
Table 5-6	Address selection	5-40
Table 5-7	Test modes	5-40
Table 5-8	Reference divider ratios	5-40
Table 5-9	AGC take-over point	5-41
Table 5-10	A to D converter levels	5-41
Table 5-11	Defaults at power-on reset	5-41
Table 5-12	Internal band selection	5-41
5.3	I2C Bus Timing Diagram	5-42
5.4	Electrical Diagrams	5-43
5.4.1	Input admittance (S11) of the LOW band mixer (40 to 140 MHz)	5-43
5.4.2	Input impedance (S11) of the MID band mixer (150 to 455 MHz)	5-43
5.4.3	Input impedance (S11) of the HIGH band mixer (450 to 865 MHz)	5-44
5.4.4	Output admittance (S22) of the of the Mixer output (30 to 50 MHz)	5-44
5.4.5	Output impedance (S22) of the IF amplifier (30 to 50 MHz)	5-45
5.5	Measurement Circuits	5-46
5.5.1	Gain (GV) measurement in LOW band	5-46
5.5.2	Gain (GV) measurement in MID and HIGH bands	5-46
5.5.3	Matching circuit for optimum noise figure in LOW band	5-47
5.5.4	Noise figure (NF) measurement in LOW band	5-47
5.5.5	Noise figure (NF) measurement in MID and HIGH bands	5-48
5.5.6	Cross modulation measurement in LOW band	5-48
5.5.7	Cross modulation measurement in MID and HIGH bands	5-49
5.5.8	Ripple susceptibility measurement	5-49

5.1 Electrical Data

5.1.1 Absolute Maximum Ratings



WARNING

The maximum ratings may not be exceeded under any circumstances, not even momentarily and individually, as permanent damage to the IC may result.

Table 5-1 Absolute Maximum Ratings, ambient temperature $T_{AMB} = -10^{\circ}\text{C} \dots T_{Amax}$

Parameter ¹⁾	Symbol	Limit Values		Unit	Remarks
		min	max		
Supply voltage	V_{CC}	-0.3	6	V	
Ambient temperature	T_A	-10	T_{Amax} 2).	$^{\circ}\text{C}$	
Storage temperature	T_{Stg}	-40	+125	$^{\circ}\text{C}$	
Junction temperature	T_J		+125	$^{\circ}\text{C}$	
Temperature difference junction to case ³⁾	T_{JC}		2	K	
PLL					
CP	V_{CP}	-0.3	3	V	
	I_{CP}		1	mA	
Crystal oscillator pin XTAL	V_Q		6	V	
	I_Q	-5		mA	
Bus input/output SDA	V_{SDA}	-0.3	6	V	
Bus output current SDA	$I_{SDA(L)}$		10	mA	open collector
Bus input SCL	V_{SCL}	-0.3	6	V	
Chip address switch AS	V_{AS}	-0.3	6	V	
VCO tuning output (loop filter)	V_{VT}	-0.3	35	V	

Table 5-1 Absolute Maximum Ratings, ambient temperature $T_{AMB} = -10^{\circ}\text{C} \dots +85^{\circ}\text{C}$ (continued)

Parameter 1.)	Symbol	Limit Values		Unit	Remarks
		min	max		
NPN port output voltage	$V_{P4, 5, 7}$	-0.3	6	V	open collector
NPN port output current	$I_{P4, 5, 7(L)}$	-1	10	mA	open collector, $t_{max} = 0.1$ sec. at 5.5 V
P6/ADC input/output voltage	$V_{P6/ADC}$	-0.3	6	V	
NPN port output current	$I_{P6/ADC(L)}$	-1	10	mA	open collector, $t_{max} = 0.1$ sec. at 5.5 V
PNP port output voltage	$V_{P0, 1, 2, 3}$	-0.3	6	V	open collector
PNP port output current	$I_{P1(L)}$	+1	-25	mA	open collector, $t_{max} = 0.1$ sec. at 5.5 V
PNP port output current	$I_{P0(L)}$	+1	-10	mA	open collector, $t_{max} = 0.1$ sec. at 5.5 V
PNP port output current	$I_{P2, 3(L)}$	+1	-5	mA	open collector, $t_{max} = 0.1$ sec. at 5.5 V
Total port output current of NPN ports	$\Sigma I_{P(L)}$		40	mA	$t_{max} = 0.1$ sec. at 5.5 V
Total port output current of PNP ports	$\Sigma I_{P(L)}$		-40	mA	$t_{max} = 0.1$ sec. at 5.5 V
Mixer-Oscillator					
Mix inputs LOW band	V_{LOW}	-0.3	3	V	
Mix inputs MID/HIGH band	$V_{MID/HIGH}$		2	V	
	$I_{MID/HIGH}$	-5	6	mA	
VCO base voltage	V_B	-0.3	3	V	LOW, MID and HIGH band oscillators
VCO collector voltage	V_C		6	V	LOW, MID and HIGH band oscillators
ESD-Protection 4).					
all pins	V_{ESD}		2	kV	

1). All values are referred to ground (pin), unless stated otherwise.

Currents with a positive sign flow into the pin and currents with a negative sign flow out of pin.

2). The maximum ambient temperature depends on the mounting conditions of the package. Any application mounting must guarantee not to exceed the maximum junction temperature of 125 °C. As reference the temperature difference junction to case is given.

3). Referred to top center of package.

4). According to EIA/JESD22-A114-B (HBM in-circuit test), as a single device in-circuit contact discharge test.

5.1.2 Operating Range

Within the operational range the IC operates as described in the circuit description. The AC / DC characteristic limits are not guaranteed.

Table 5-2 Operating Range

Parameter	Symbol	Limit Values		Unit	Test Conditions	L	Item
		min	max				
Supply voltage	V_{CC}	+4.5	+5.5	V			
Programmable divider factor	N	256	32767				
LOW mixer input frequency range	f_{MIXV}	30	200	MHz			
MID and HIGH band mixer input frequency range	f_{MIXU}	130	900	MHz			
LOW oscillator frequency range	f_{OH}	65	250	MHz			
MID band oscillator frequency range	f_{OU}	165	530	MHz			
HIGH band oscillator frequency range	f_{OU}	400	950	MHz			
Ambient temperature	T_{AMB}	-10	T_{Amax} 1).	°C			

1). see 5.1.1 Absolute Maximum Ratings on page 27

5.1.3 AC/DC Characteristics

Table 5-3 AC/DC Characteristics with $T_{AMB} = 25\text{ }^{\circ}\text{C}$, $V_{CC} = 5\text{ V}$

	Symbol	Limit Values			Unit	Test Conditions	L	Item
		min	typ	max				
Supply								
Supply voltage	V_{CC}	4.5	5	5.5	V			
Current consumption	I_{VCC}		73		mA	LOW band		
	I_{VCC}		75		mA	MID band		
	I_{VCC}	-	66		mA	HIGH band		
Digital Part								
PLL								
Crystal oscillator connections XTAL								
Crystal frequency	f_{XTAL}	3.2	4.0	4.48	MHz	series resonance		
Crystal resistance	R_Q	25		300	Ω	series resonance		
Input impedance	Z_Q	-1000	-1200		Ω	$f_{XTAL} = 4\text{ MHz}$		
Charge pump output CP								
High-level output current	I_{CPH}		± 280		μA	$CP = 1, V_{CP} = 2\text{ V}$		
Low-level output current	I_{CPL}		± 60		μA	$CP = 0, V_{CP} = 2\text{ V}$		
Tristate current	I_{CPZ}		+1		nA	T2, T1, T0 = 0, 1, 0, $V_{CP} = 2\text{ V}$		
Output voltage	V_{CP}	1.0		2.5	V	loop closed		
Tuning voltage output VT (open collector)								
Leakage current	I_{TH}			10	μA	$V_{TH} = 33\text{ V}, OS = 1$		
Output voltage when the loop is closed, (test mode in normal operation)	V_{TL}	0.4		32.7	V	$OS=0, R_{Load} = 33\text{ k}\Omega,$ tuning supply = 33 V		
I²C-Bus								
Bus inputs SCL, SDA								
High-level input voltage	V_{IH}	2.3		5.5	V			
Low-level input voltage	V_{IL}	0		1.5	V			
High-level input current	I_{IH}			10	μA	$V_{bus} = 5.5\text{ V},$ $V_{CC} = 0\text{ V}$		
	I_{IH}			10	μA	$V_{bus} = 5.5\text{ V},$ $V_{CC} = 5.5\text{ V}$		

Table 5-3 AC/DC Characteristics with $T_{AMB} = 25\text{ }^{\circ}\text{C}$, $V_{CC} = 5\text{V}$ (continued)

	Symbol	Limit Values			Unit	Test Conditions	L	Item
		min	typ	max				
Low-level input current	I_{IL}			10	μA	$V_{bus} = 1.5\text{ V}$, $V_{CC} = 0\text{ V}$		
	I_{IL}	-10			μA	$V_{bus} = 0\text{ V}$, $V_{CC} = 5.5\text{ V}$		
Bus output SDA (open collector)								
Leakage current	I_{OH}			10	μA	$V_{OH} = 5.5\text{ V}$		
Low-level output voltage	V_{OL}			0.4	V	$I_{OL} = 3\text{ mA}$		
Low-level output voltage	V_{OL}			0.6	V	$I_{OL} = 6\text{ mA}$ at 400 kHz		
Edge speed SCL,SDA								
Rise time	t_r			300	ns			
Fall time	t_f			300	ns			
Clock timing SCL								
Frequency	f_{SCL}	0	100	400	kHz			
High pulse width	t_H	0.6			μs			
Low pulse width	t_L	1.3			μs			
Start condition								
Set-up time	t_{susta}	0.6			μs			
Hold time	t_{hsta}	0.6			μs			
Stop condition								
Set up time	t_{susto}	0.6			μs			
Bus free	t_{buf}	1.3			μs			
Data transfer								
Set-up time	t_{sudat}	0.1			μs			
Hold time	t_{hdat}	0			μs			
Input hysteresis SCL, SDA	V_{hys}		200		mV			
Pulse width of spikes which are suppressed	t_{sp}	0		50	ns			
Capacitive load for each bus line	C_L			400	pF			
PNP port outputs P0, P1, P2, P3 (open collector)								
Output leakage current	$I_{POH0to3}$			-10	μA	$V_{CC} = 5.5\text{ V}$		
Output saturation voltage port 0	V_{PL0}		0.25	0.4	V	$I_{POL0} = 10\text{ mA}$		
Output saturation voltage port 1	V_{PL1}		0.25	0.4	V	$I_{POL1} = 15\text{ mA}$		

Table 5-3 AC/DC Characteristics with $T_{AMB} = 25\text{ }^{\circ}\text{C}$, $V_{CC} = 5\text{V}$ (continued)

	Symbol	Limit Values			Unit	Test Conditions	L	Item
		min	typ	max				
Output saturation voltage ports 2, 3	$V_{PL2,3}$		0.25	0.4	V	$I_{POL2,3} = 5\text{ mA}$		
NPN port outputs P4, P5, P6, P7 (open collector)								
Output leakage current	$I_{POH4to7}$			10	μA	$V_{CC} = 5.5$, $V_{Pn4to7} = 6\text{ V}$		
Output saturation voltage	$V_{PL04to7}$		0.25	0.4	V	$I_{POL4to7} = 5\text{ mA}$		
ADC input								
ADC input voltage	V_{ADC}	0		5.5	V			
High-level input current	I_{ADCH}			10	μA			
Low-level input current	I_{ADCL}	-10			μA			
Address selection input AS								
High-level input current	I_{ASH}			50	μA	$V_{ASH} = 5.5\text{ V}$		
Low-level input current	I_{ASL}	-50			μA	$V_{ASL} = 0\text{ V}$		
Analog Part								
LOW band mixer mode (P0 = 1, P1 = 0, including IF amplifier)								
RF frequency	f_{RF}	44.25		170.25	MHz	picture carrier ¹⁾ .		
Voltage gain	G_V	23.5	26	28.5	dB	$f_{RF} = 44.25\text{ MHz}$, see 5.5.1 on page 46		
	G_V	23.5	26	28.5	dB	$f_{RF} = 170.25\text{ MHz}$, see 5.5.1 on page 46		
Noise figure	NF		8	10	dB	$f_{RF} = 50\text{ MHz}$, see 5.5.4 on page 47 , see 5.5.3 on page 47		
Output voltage causing 0.3% of crossmodulation in channel	V_O	108	111		dB μV	$f_{RF} = 44.25\text{ MHz}$, see 5.5.6 on page 48		
	V_O	108	111		dB μV	$f_{RF} = 170.25\text{ MHz}$, see 5.5.6 on page 48		
Output voltage causing 1.1 kHz incidental FM	V_O	108	111		dB μV	$f_{RF} = 44.25\text{ MHz}$ ²⁾ .		
	V_O	108	111		dB μV	$f_{RF} = 170.25\text{ MHz}$ ²⁾ .		
Local oscillator FM caused by I ² C communication	FM_{I2C}			2.12	kHz	$f_{RF} = 170.25\text{ MHz}$ ³⁾ .		
750 Hz Pulling	V_i	88			dB μV	$f_{RF} = 154.25\text{ MHz}$ ⁴⁾ .		
Channel S02 beat	INT_{S02}	57	60		dBc	$V_{RFpix} = 115\text{ dB}\mu\text{V}$ at IF output ⁵⁾ .		

Table 5-3 AC/DC Characteristics with $T_{AMB} = 25\text{ }^{\circ}\text{C}$, $V_{CC} = 5\text{V}$ (continued)

	Symbol	Limit Values			Unit	Test Conditions	L	Item
		min	typ	max				
Channel A-5 beat	INT_{A-5}	57	60		dBc	$V_{RFpix} = 115\text{ dB}\mu\text{V}$ at IF output ⁶⁾ .		
Channel CH6 color beat	INT_{CH6}	63	66		dBc	$V_{RFpix} = 80\text{ dB}\mu\text{V}$ $V_{RFsnd} = 80\text{ dB}\mu\text{V}$ ⁷⁾ .		
RF input level without lock-out	V_i			120	dB μV	⁸⁾ .		
Input conductance	g_i		1		mS	$f_{RF} = 44.25\text{ MHz}$, see 5.4.1 on page 43		
	g_i		1		mS	$f_{RF} = 170.25\text{ MHz}$, see 5.4.1 on page 43		
Input capacitance	C_{MixV}		1		pF	$f_{RF} = 44.25$ to 170.25 MHz , see 5.4.1 on page 43		
Mid band mixer mode (P0 = 0, P1 = 1, including IF amplifier)								
RF frequency	f_{RF}	154.25		454.25		picture carrier ^{1.)}		
Voltage gain	G_V	33	36	39	dB	$f_{RF} = 154.25\text{ MHz}$, see 5.5.2 on page 46		
	G_V	33	36	39	dB	$f_{RF} = 454.25\text{ MHz}$, see 5.5.2 on page 46		
Noise figure (not corrected for image)	NF		6	8	dB	$f_{RF} = 154.25\text{ MHz}$, see 5.5.5 on page 48		
	NF		6	8	dB	$f_{RF} = 300\text{ MHz}$, see 5.5.5 on page 48		
Output voltage causing 0.3% of crossmodulation in channel	V_O	108	111		dB μV	$f_{RF} = 154.25\text{ MHz}$, see 5.5.7 on page 49		
	V_O	108	111		dB μV	$f_{RF} = 454.25\text{ MHz}$, see 5.5.7 on page 49		
Output voltage causing 1.1 kHz incidental FM	V_O	108	111		dB μV	$f_{RF} = 154.25\text{ MHz}$ ^{2.)}		
	V_O	108	111		dB μV	$f_{RF} = 454.25\text{ MHz}$ ^{2.)}		
Local oscillator FM caused by I ² C communi- cation	FM_{I2C}			2.12	kHz	$f_{RF} = 454.25\text{ MHz}$ ^{3.)}		
N+5 - 1 MHz pulling	N+5 - 1 MHz	77	80		dB μV	$f_{RFw} = 359.25\text{ MHz}$, $f_{OSC} = 398.15\text{ MHz}$, $f_{RFu} = 399.25\text{ MHz}$ ⁹⁾ .		

Table 5-3 AC/DC Characteristics with $T_{AMB} = 25\text{ }^{\circ}\text{C}$, $V_{CC} = 5\text{V}$ (continued)

	Symbol	Limit Values			Unit	Test Conditions	L	Item
		min	typ	max				
750 Hz Pulling	V_i	78			dB μ V	$f_{RF} = 439.25\text{ MHz}$ ^{4.)}		
RF input level without lock-out	V_i			120	dB μ V	8.)		
Input impedance $Z_i = (R_s + j\omega L_s)$	R_s		35		Ω	$f_{RF} = 154.25.25\text{ MHz}$, see 5.4.2 on page 43		
	R_s		30		Ω	$f_{RF} = 454.25\text{ MHz}$, see 5.4.2 on page 43		
	L_s		5		nH	$f_{RF} = 154.25.25\text{ MHz}$, see 5.4.2 on page 43		
	L_s		4.5		nH	$f_{RF} = 454.25\text{ MHz}$, see 5.4.2 on page 43		
HIGH band mixer mode ($P_0 = 0$, $P_1 = 0$, including IF amplifier)								
RF frequency	f_{RF}	399.25		863.25		picture carrier ^{1.)}		
Voltage gain	G_V	33	36	39	dB	$f_{RF} = 407.25\text{ MHz}$, see 5.5.2 on page 46		
	G_V	33	36	39	dB	$f_{RF} = 863.25\text{ MHz}$, see 5.5.2 on page 46		
Noise figure (not corrected for image)	NF		6	8	dB	$f_{RF} = 407.25\text{ MHz}$, see 5.5.5 on page 48		
	NF		7	9	dB	$f_{RF} = 863.25\text{ MHz}$, see 5.5.5 on page 48		
Output voltage causing 0.3% of crossmodulation in channel	V_O	108	111		dB μ V	$f_{RF} = 407.25\text{ MHz}$, see 5.5.7 on page 49		
	V_O	108	111		dB μ V	$f_{RF} = 863.25\text{ MHz}$, see 5.5.7 on page 49		
Output voltage causing 1.1 kHz incidental FM	V_O	108	111		dB μ V	$f_{RF} = 407.25\text{ MHz}$ ^{2.)}		
	V_O	108	111		dB μ V	$f_{RF} = 454.25\text{ MHz}$ ^{2.)}		
Local oscillator FM caused by I ² C communication	FM_{I2C}			2.12	kHz	$f_{RF} = 863.25\text{ MHz}$ ^{3.)}		
N+5 - 1 MHz pulling	N+5 - 1 MHz	77	80		dB μ V	$f_{RFw} = 823.25\text{ MHz}$, $f_{OSC} = 862.15\text{ MHz}$, $f_{RFu} = 862.25\text{ MHz}$ ^{9.)}		
750 Hz Pulling	V_i	78			dB μ V	$f_{RF} = 855.25\text{ MHz}$ ^{4.)}		

Table 5-3 AC/DC Characteristics with $T_{AMB} = 25\text{ }^{\circ}\text{C}$, $V_{CC} = 5\text{ V}$ (continued)

	Symbol	Limit Values			Unit	Test Conditions	L	Item
		min	typ	max				
RF input level without lock-out	V_i			120	dB μ V	8.)		
Input impedance $Z_i = (R_s + j\omega L_s)$	R_s		35		Ω	$f_{RF} = 407.25\text{ MHz}$, see 5.4.3 on page 44		
	R_s		30		Ω	$f_{RF} = 863.25\text{ MHz}$, see 5.4.3 on page 44		
	L_s		5		nH	$f_{RF} = 407.25\text{ MHz}$, see 5.4.3 on page 44		
	L_s		4.5		nH	$f_{RF} = 863.25\text{ MHz}$, see 5.4.3 on page 44		
LOW band oscillator, see Chapter 4								
Oscillator frequency	f_{OSC}	80		210	MHz	10.)		
Oscillator frequency shift	$\Delta f_{OSC(V)}$		20	70	kHz	$\Delta V_{CC} = 5\% \text{ }^{11)}$		
	$\Delta f_{OSC(V)}$		110		kHz	$\Delta V_{CC} = 10\% \text{ }^{11)}$		
Oscillator frequency drift	$\Delta f_{OSC(T)}$		300	500	kHz	$\Delta T = 25\text{ }^{\circ}\text{C}$, with compensation 12.)		
Oscillator frequency drift	$\Delta f_{OSC(t)}$		150	250	kHz	5 s to 15 min after switch on ¹³⁾		
Phase noise, carrier to noise sideband	Φ_{OSC}	88	92		dBc/ Hz	$\pm 10\text{ kHz}$ frequency offset, worst case in frequency range		
Ripple susceptibility of V_P	RSC	15	20		mV	$4.75\text{ V} < V_P < 5.25\text{ V}$, worst case in fre- quency range, ripple frequency 500 kHz 14.)		
MID band oscillator, see Chapter 4								
Oscillator frequency	f_{OSC}	201		493	MHz	10.)		
Oscillator frequency shift	$\Delta f_{OSC(V)}$		20	70	kHz	$\Delta V_{CC} = 5\% \text{ }^{11)}$		
	$\Delta f_{OSC(V)}$		110		kHz	$\Delta V_{CC} = 10\% \text{ }^{11)}$		
Oscillator frequency drift	$\Delta f_{OSC(T)}$		500	750	kHz	$\Delta T = 25\text{ }^{\circ}\text{C}$; with com- pensation ¹²⁾		
Oscillator frequency drift	$\Delta f_{OSC(t)}$		250	500	kHz	5 s to 15 min after switch on ¹³⁾		
Phase noise, carrier to noise sideband	Φ_{OSC}	86	92		dBc/ Hz	$\pm 10\text{ kHz}$ frequency offset, worst case in frequency range		

Table 5-3 AC/DC Characteristics with $T_{AMB} = 25\text{ }^{\circ}\text{C}$, $V_{CC} = 5\text{V}$ (continued)

	Symbol	Limit Values			Unit	Test Conditions	L	Item
		min	typ	max				
Ripple susceptibility of V_P	RSC	15	20		mV	4.75 < V_P < 5.25 V, worst case in frequency range, ripple frequency 500 kHz 14.)		
HIGH band oscillator, see Chapter 4								
Oscillator frequency	f_{OSC}	435		905	MHz	10.)		
Oscillator frequency shift	$\Delta f_{OSC(V)}$		20	70	kHz	$\Delta V_{CC} = 5\%$ 11.)		
	$\Delta f_{OSC(V)}$		300		kHz	$\Delta V_{CC} = 10\%$ 11.)		
Oscillator frequency drift	$\Delta f_{OSC(T)}$		600	1000	kHz	$\Delta T = 25\text{ }^{\circ}\text{C}$; with compensation 12.)		
Oscillator frequency drift	$\Delta f_{OSC(t)}$		250	500	kHz	5 s to 15 min after switch on 13.)		
Phase noise, carrier to noise sideband	Φ_{OSC}	86	90		dBc/Hz	± 10 kHz frequency offset, worst case in frequency range		
Ripple susceptibility of V_P	RSC	15	20		mV	4.75 < V_P < 5.25 V, worst case in frequency range, ripple frequency 500 kHz 14.)		
IF amplifier								
Mixer output impedance $Y_o = G_s + j\omega C_s$	G_p		3		mS	at 36 MHz, see 5.4.4 on page 44		
	C_p		4		pF	at 36 MHz, see 5.4.4 on page 44		
IF amplifier output impedance $Z_o = R_s + j\omega L_s$	R_s		65		Ω	at 36 MHz, see 5.4.5 on page 45		
	L_s		20		nH	at 36 MHz, see 5.4.5 on page 45		
Rejection at the IF outputs								
Level of divider interferences in the IF signal	INT_{DIV}			20	dB μ V	15)., worst case		
Crystal oscillator interferences rejection	INT_{XTAL}	60	66		dBc	$V_{IF} = 100$ dB μ V, worst case in frequency range 16).		
Reference frequency rejection	INT_{REF}	60	66		dBc	$V_{IF} = 100$ dB μ V, worst case in frequency range 17).		
AGC output								
AGC take-over point	AGC_{TOP}	111	112	113	dB μ V	AL2, AL1, AL0 = 0, 1, 0		

Table 5-3 AC/DC Characteristics with $T_{AMB} = 25\text{ }^{\circ}\text{C}$, $V_{CC} = 5V_C$ (continued)

	Symbol	Limit Values			Unit	Test Conditions	L	Item
		min	typ	max				
Source current 1	AGC_{fast}	7.2	9.0	10.8	μA			
Source current 2	AGC_{slow}	185	220	264	nA			
Peak sink to ground	AGC_{peak}	80	100	120	μA			
AGC output voltage	V_{AGCmax}	3.3	3.5	3.7	V	maximum level		
AGC output voltage	V_{AGCmin}	0		0.25	V	minimum level		
RF voltage range to switch the AGC from active to inactive mode	AGC_{SLIP}			0.5	dB			
AGC output voltage	AGC_{RML}	0		2.9	V	AGC bit high or AGC active		
AGC output voltage	AGC_{RMH}	3	3.5	$V_{CC} - 0.5$ or 4	V	AGC bit low or AGC inactive		
AGC leakage current	AGC_{LEAK}	-50		50	nA	AL2, AL1, AL0 = 1,1,0 $0 < V_{AGC} < V_{CC}$		
AGC output voltage	AGC_{OFF}	3.3	3.5	$V_{CC} - 0.5$ or 4	V	AL2, AL1, AL0 = 1,1,1 AGC is disabled		

■ This value is only guaranteed in lab.

- 1). The RF frequency range is defined by the oscillator frequency range and the intermediate frequency (IF).
- 2). This is the level of the RF unwanted signal (50% amplitude modulated with 1kHz) that causes a 1.1 kHz FM modulation of the local oscillator and thus of the wanted signal; $V_{wanted} = 100\text{ dB}\mu\text{V}$; $f_{unwanted} = f_{wanted} + 5.5\text{ MHz}$.
- 3). Local oscillator FM modulation resulting from I²C communication is measured at the IF output using a modulation analyser with a peak to peak detector ($(P_+ + P_-)/2$) and a post detection filter 30 Hz - 200 kHz. The I²C messages are sent to the tuner in such a way that the tuner is addressed but the content of the PLL registers are not altered. The refresh interval between each data set shall be 20 ms to 1s.
- 4). This is the level of the RF signal (100% amplitude modulated with 11.89 kHz) that causes a 750 Hz frequency deviation on the oscillator signal producing sidebands 30 dB below the level of the oscillator signal.
- 5). Channel S02 beat is the interfering product of f_{RFpix} , f_{IF} and f_{OSC} of channel S02, $f_{BEAT} = 37.35\text{ MHz}$. The possible mechanisms are $f_{OSC} - 2 \times f_{IF}$ or $2 \times f_{RFpix} - f_{OSC}$.
- 6). Channel A-5 beat is the interfering product of f_{RFpix} , f_{IF} and f_{OSC} of channel A-5; $f_{BEAT} = 45.5\text{ MHz}$. The possible mechanisms are: $f_{OSC} - 2 \times f_{IF}$ or $2 \times f_{RFpix} - f_{OSC}$.
- 7). Channel 6 beat is the interfering product of $f_{RFpix} + f_{RFsnd} - f_{OSC}$ of channel 6 at 42 MHz.
- 8). The IF output signal stays stable within the range of the f_{ref} step for a low level RF input up to 120 dB μV .
- 9). N+5 -1 MHz is defined as the input level of channel N+5, at frequency 1 MHz lower, causing FM sidebands 30 dB below the wanted carrier.
- 10). Limits are related to the tank circuit used in the application board (Chapter 4). Frequency bands may be adjusted by the choice of external components.
- 11). The frequency shift is defined as a change in oscillator frequency when the supply voltage varies from $V_{CC} = 5$ to 4.75 V (4.5 V) or from $V_{CC} = 5$ to 5.25 V (5.5 V). The oscillator is free running during this measurement.
- 12). The frequency drift is defined as a change in oscillator frequency if the ambient temperature varies from $T_{amb} = 25$ to 50 $^{\circ}\text{C}$ or from $T_{amb} = 25$ to 0 $^{\circ}\text{C}$. The oscillator is free running during this measurement.

13). The switch-on drift is defined as a change in oscillator frequency between 5 s and 15 min after switch-on. The oscillator is free running during this measurement.

14). The supply ripple susceptibility is measured in the application board (Chapter 4), using a spectrum analyser connected to the IF output. An unmodulated RF signal is applied to the test board RF input. A sinewave signal with a frequency of 500 kHz is superposed onto the supply voltage (see 5.5.8 on page 49). The amplitude of this ripple is adjusted to bring the 500 kHz sidebands around the IF carrier to a level of 53.5 dBc referred to the carrier.

15). This is the level of divider interferences close to the IF frequency. For example channel S3: $f_{OSC} = 158.15$ MHz, $1/4 f_{OSC} = 39.5375$ MHz. Divider interference is measured with the application board (Chapter 4). All ground pins are connected to a single ground plane under the IC. The LOWIN input must be left open (i.e. not connected to any load or cable). The MIDIN and HIGHIN inputs are connected to a hybrid. The measured level of divider interference are influenced by layout, grounding and port decoupling. The measurement results between various applications and the reference board could vary as much as 10 dB.

16). Crystal oscillator interference means the 4 MHz sidebands caused by the crystal oscillator. The rejection has to be greater than 60 dB for an IF output of 100 dB μ V.

17). The reference frequency rejection is the level of reference frequency sidebands (e.g. 62.5 kHz) related to the carrier. The rejection has to be greater than 60 dB for an IF output of 100 dB μ V.

5.2 Programming

Table 5-4 Bit Allocation Read / Write

Name	Byte	Bits								Ack
		MSB	bit6	bit5	bit4	bit3	bit2	bit1	LSB	
Write Data										
Address Byte	ADB	1	1	0	0	0	MA1	MA0	R/ W=0	A
Divider Byte 1	DB1	0	N14	N13	N12	N11	N10	N9	N8	A
Divider Byte 2	DB2	N7	N6	N5	N4	N3	N2	N1	N0	A
Control byte	CB	1	CP	T2	T1	T0	RSA	RSB	OS	A
Bandswitch byte	BB	P7	P6	P5	P4	P3	P2	P1	P0	A
Auxiliary byte ¹⁾	AB	ATC	AL2	AL1	AL0	0	0	0	0	A
Read data										
Address byte	ADB	1	1	0	0	0	MA1	MA0	R/ W=1	A
Status byte	SB	POR	FL	1	1	AGC	A2	A1	A0	A

1). AB replaces BB when T2, T1, T0 = 0, 1, 1, see [Table 5-7 Test modes on page 40](#)

Table 5-5 Description of Symbols

Symbol	Description
A	Acknowledge
MA0, MA1	Address selection bits, see Table 5-6 Address selection on page 40
N14 to N0	programmable divider bits: $N = 2^{14} \times N14 + 2^{13} \times N13 + \dots + 2^3 \times N3 + 2^2 \times N2 + 2^1 \times N1 + N0$
CP	charge pump current bit: bit = 0: charge pump current = 60 μ A bit = 1: charge pump current = 280 μ A (default)
T0, T1, T2	test bits, see Table 5-7 Test modes on page 40
RSA, RSB	reference divider bits, see Table 5-8 Reference divider ratios on page 40
OS	tuning amplifier control bit: bit = 0: enable V_T bit = 1: disable V_T (default)
P0, P1, P2, P3	PNP ports control bits bit = 0: Port is inactive, high impedance state (default) bit = 1: Port is active, $V_{OUT} = V_{CC} - V_{CESAT}$
P4, P5, P6, P7	NPN ports control bits bit = 0: Port is inactive, high impedance state (default) bit = 1: Port is active, $V_{OUT} = V_{CESAT}$
ATC	AGC time constant bit bit = 0: $I_{AGC} = 220\text{nA}$; $\Delta t = 2\text{s}$ with $C = 160\text{nF}$ (default) bit = 1: $I_{AGC} = 9\mu\text{A}$; $\Delta t = 50\text{ms}$ with $C = 160\text{nF}$

Table 5-5 Description of Symbols

AL0, AL1, AL2	AGC take-over point bits
POR	Power-on reset flag; POR =1 at power-on
FL	PLL lock flag bit = 1: loop is locked
AGC	internal AGC flag. AGC=1 when internal AGC is active (level below 3V)
A0, A1, A2	digital output of the 5-level ADC

Table 5-6 Address selection

Voltage at AS	MA1	MA0
(0 to 0.1) * V _{CC}	0	0
open circuit	0	1
(0.4 to 0.6) * V _{CC}	1	0
(0.9 to 1) * V _{CC}	1	1

Table 5-7 Test modes

Mode	T2	T1	T0
Normal operation	0	0	0
Normal operation (default)	0	0	1
CP is in high-impedance state	0	1	0
byte AB will follow (otherwise byte BB will follow)	0	1	1
P4 = f _{div} output, P5 = f _{ref} output	1	0	0
not in use	1	0	1
not in use	1	1	0
not in use	1	1	1

Table 5-8 Reference divider ratios

Reference divider ratio	f_{ref}¹⁾	RSA	RSB
80	50 kHz	0	0
128	31.25 kHz	0	1
24	166.7 kHz	1	0
64	62.5 kHz	1	1

1). With a 4 MHz quartz

Table 5-9 AGC take-over point

IF output level, symmetrical mode	Remark	AL2	AL1	AL0
115 dB μ V		0	0	0
115 dB μ V		0	0	1
112 dB μ V	default mode at POR	0	1	0
109 dB μ V		0	1	1
106 dB μ V		1	0	0
103 dB μ V		1	0	1
$I_{AGC} = 0$	External AGC ¹⁾ .	1	1	0
3.5 V	Disabled ²⁾ .	1	1	1

1). The AGC detector is disabled. Both the sinking and sourcing current from the IC is disabled. The AGC output goes into a high impedance state and an external AGC source can be connected in parallel and will not be influenced.

2). The AGC detector is disabled and $I_{AGC} = 9 \mu\text{A}$.

Table 5-10 A to D converter levels ¹⁾.

Voltage at ADC	A2	A1	A0
(0 to 0.15) * V_{CC}	0	0	0
(0.15 to 0.3) * V_{CC}	0	0	1
(0.3 to 0.45) * V_{CC}	0	1	0
(0.45 to 0.6) * V_{CC}	0	1	1
(0.6 to 1) * V_{CC}	1	0	0

1). No erratic codes in the transition

Table 5-11 Defaults at power-on reset

Name	Byte	Bits							
		MSB	bit6	bit5	bit4	bit3	bit2	bit1	LSB
Write Data									
Address Byte	ADB	1	1	0	0	0	MA1	MA0	R/W=0
Divider byte 1	DB1	0	X	X	X	X	X	X	X
Divider byte 2	DB2	X	X	X	X	X	X	X	X
Control byte	CB	1	1	0	0	1	X	X	1
Bandswitch byte	BB	0	0	0	0	0	0	0	0
Auxiliary byte	AB	0	0	1	0				

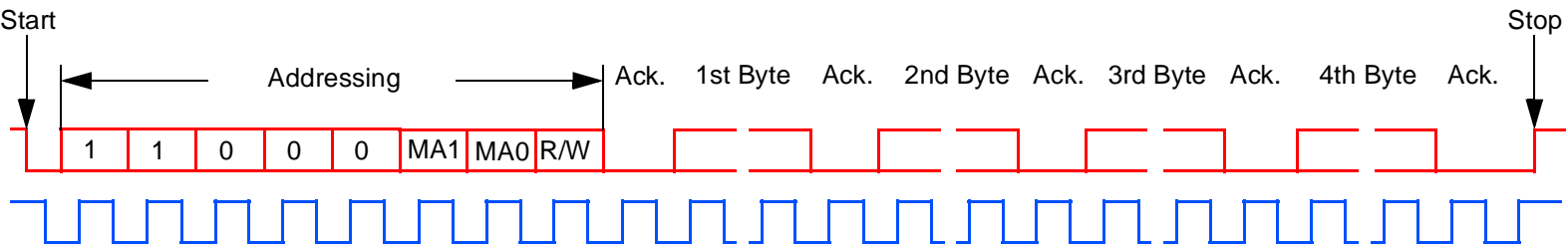
Table 5-12 Internal band selection

Band	Mixer	Oscillator
LOW	$P0.\overline{P1}$ ¹⁾ .	$P0.\overline{P1}$
MID	$P1.\overline{P0}$	$P1.\overline{P0}$
HIGH ²⁾ .	$\overline{P0}.\overline{P1}$	$\overline{P0}.\overline{P1}$

1). Means: (P0 AND NOT P1); that is: LOW mixer is switched on if (P0=1 and P1=0)

2). The HIGH band is selected by default

5.3 I²C Bus Timing Diagram



Telegram examples:

- Start-ADB-DB1-DB2-CB-BB-Stop
- Start-ADB-DB1-DB2-CB-AB-Stop
- Start-ADB-CB-BB-DB1-DB2-Stop
- Start-ADB-CB-AB-DB1-DB2-Stop
- Start-ADB-DB1-DB2-DB1-DB2-Stop
- Start-ADB-DB1-DB2-Stop
- Start-ADB-CB-BB-Stop
- Start-ADB-CB-AB-Stop
- Start-ADB-CB-BB-CB-AB-Stop
- Start-ADB-CB-AB-CB-BB-Stop

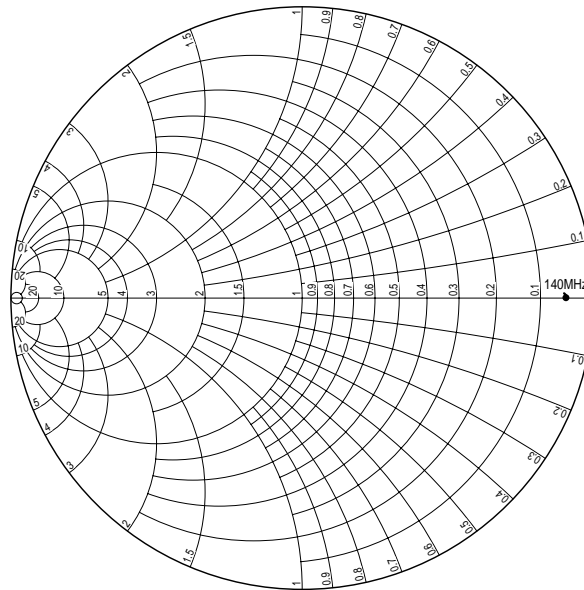
Abbreviations:

- Start= start condition
- ADB= address byte
- DB1= prog. divider byte 1
- DB2= prog. divider byte 2
- CB= Control byte
- BB= Bandswitch byte
- AB= Auxiliary byte
- Stop= stop condition

5.4 Electrical Diagrams

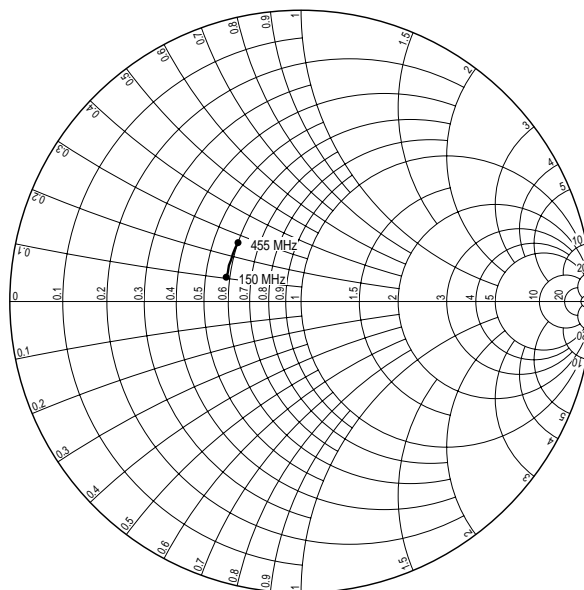
5.4.1 Input admittance (S11) of the LOW band mixer (40 to 140 MHz)

$$Y_0 = 20\text{mS}$$



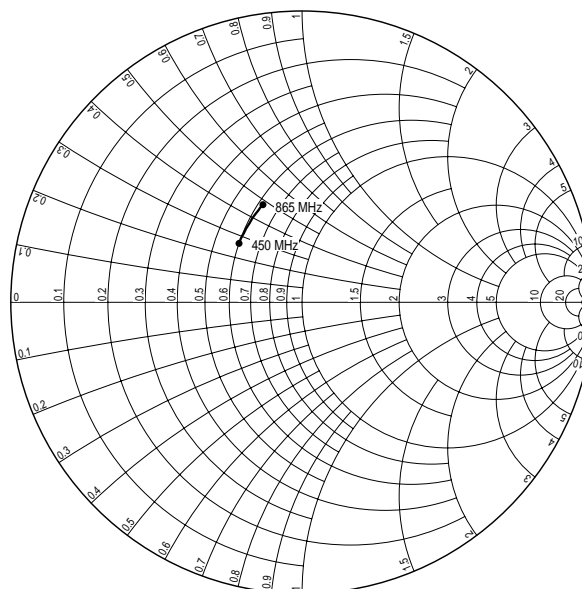
5.4.2 Input impedance (S11) of the MID band mixer (150 to 455 MHz)

$$Z_0 = 50 \Omega$$



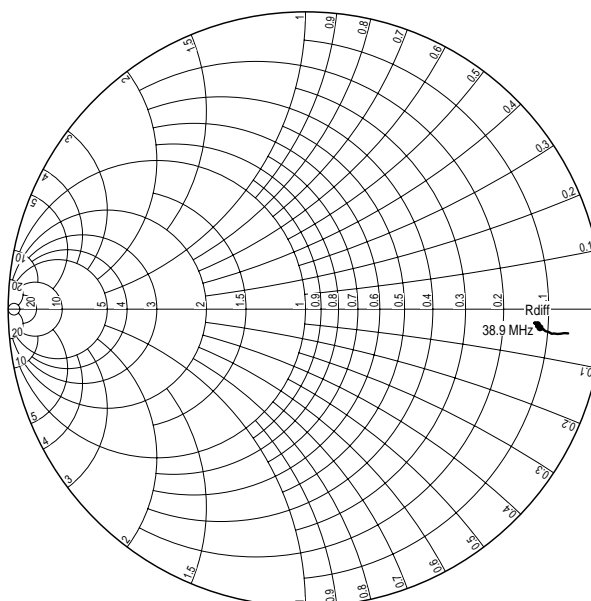
5.4.3 Input impedance (S11) of the HIGH band mixer (450 to 865 MHz)

$$Z_0 = 50 \Omega$$



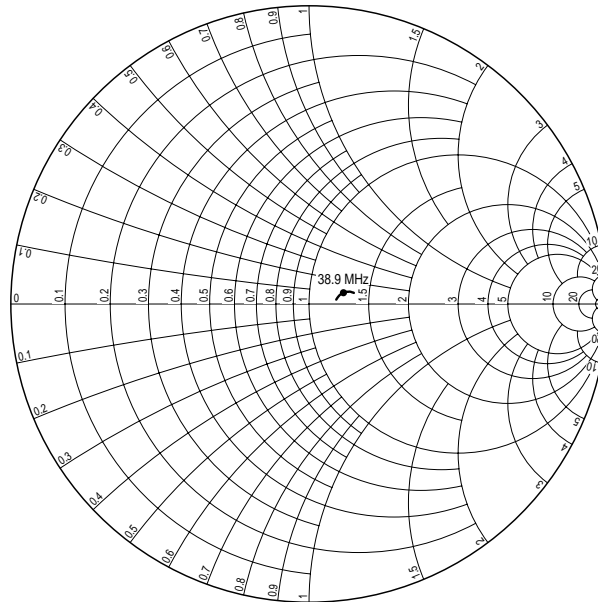
5.4.4 Output admittance (S22) of the of the Mixer output (30 to 50 MHz)

$$Y_0 = 20\text{mS}$$



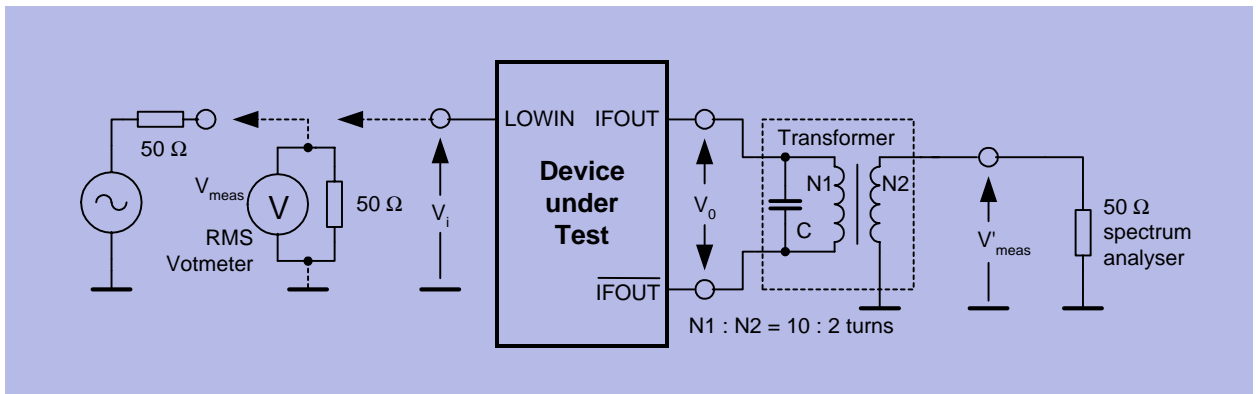
5.4.5 Output impedance (S22) of the IF amplifier (30 to 50 MHz)

$$Z_0 = 50 \Omega$$



5.5 Measurement Circuits

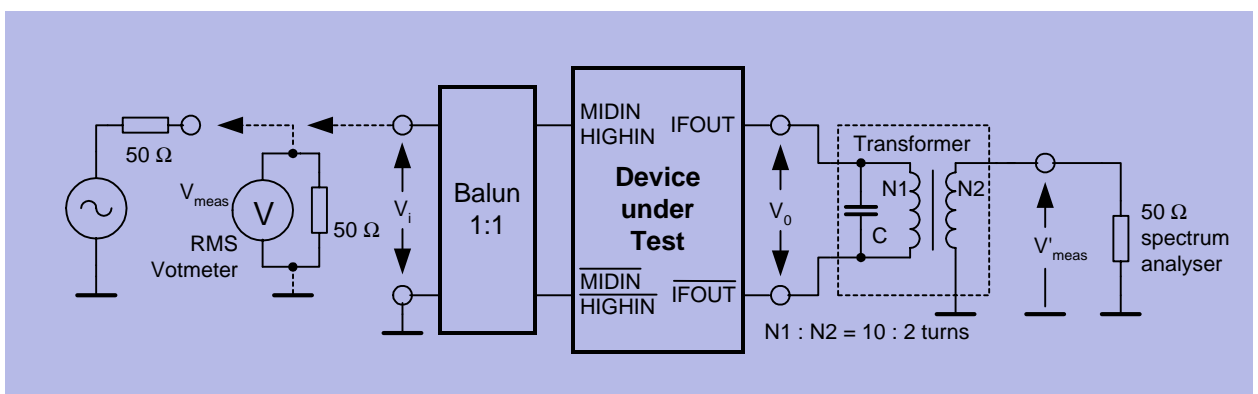
5.5.1 Gain (G_V) measurement in LOW band



GVHF

- $Z_i \gg 50 \Omega \Rightarrow V_i = 2 \times V_{meas} = 80 \text{ dB}\mu\text{V}$
- $V_i = V_{meas} + 6\text{dB} = 80 \text{ dB}\mu\text{V}$
- $V_0 = V'_{meas} + 16 \text{ dB}$ (transformer ratio N1:N2 and transformer loss)
- $G_V = 20 \log(V_0 / V_i)$

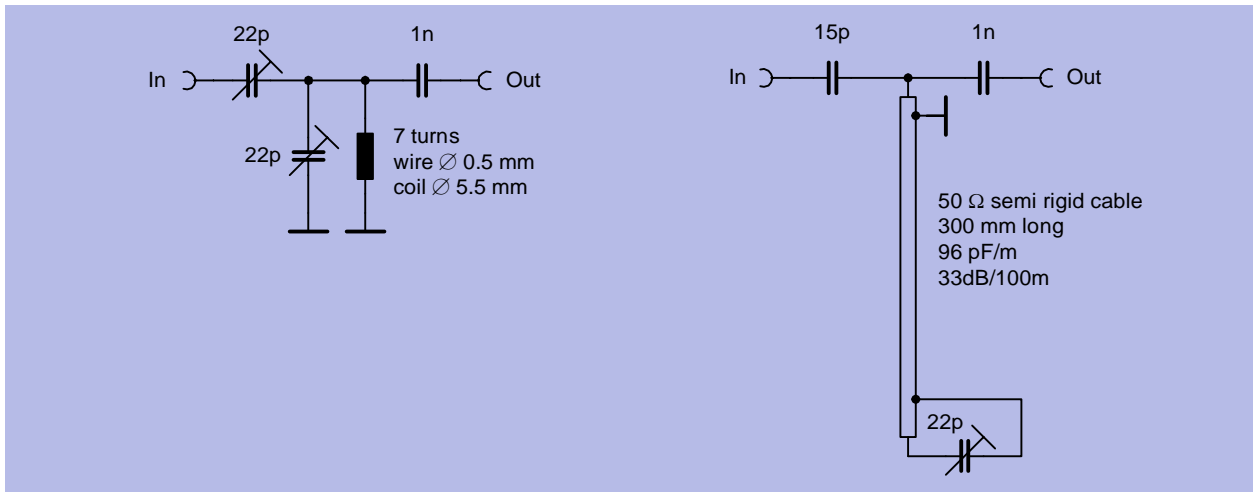
5.5.2 Gain (G_V) measurement in MID and HIGH bands



GUHF3

- $V_i = V_{meas} = 70 \text{ dB}\mu\text{V}$
- $V_0 = V'_{meas} + 16 \text{ dB}$ (transformer ratio N1:N2 and transformer loss)
- $G_V = 20 \log(V_0 / V_i) + 1 \text{ dB}$ (1 dB = insertion loss of balun)

5.5.3 Matching circuit for optimum noise figure in LOW band



NFM

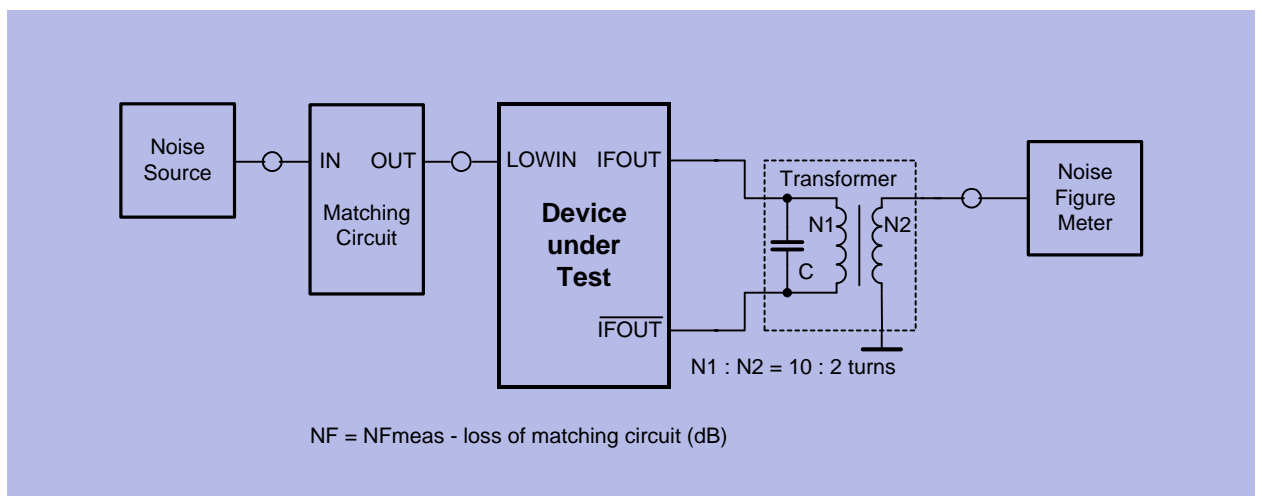
For $f_{RF} = 50$ MHz

- loss = 0 dB
- image suppression = 16 dB

For $f_{RF} = 150$ MHz

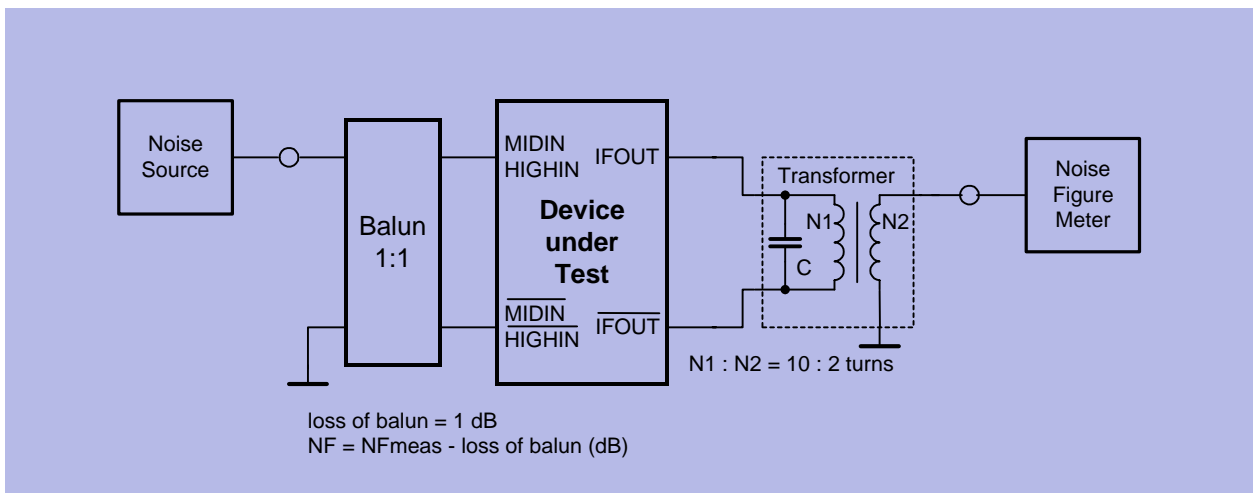
- loss = 1.3 dB
- image suppression = 13 dB

5.5.4 Noise figure (NF) measurement in LOW band



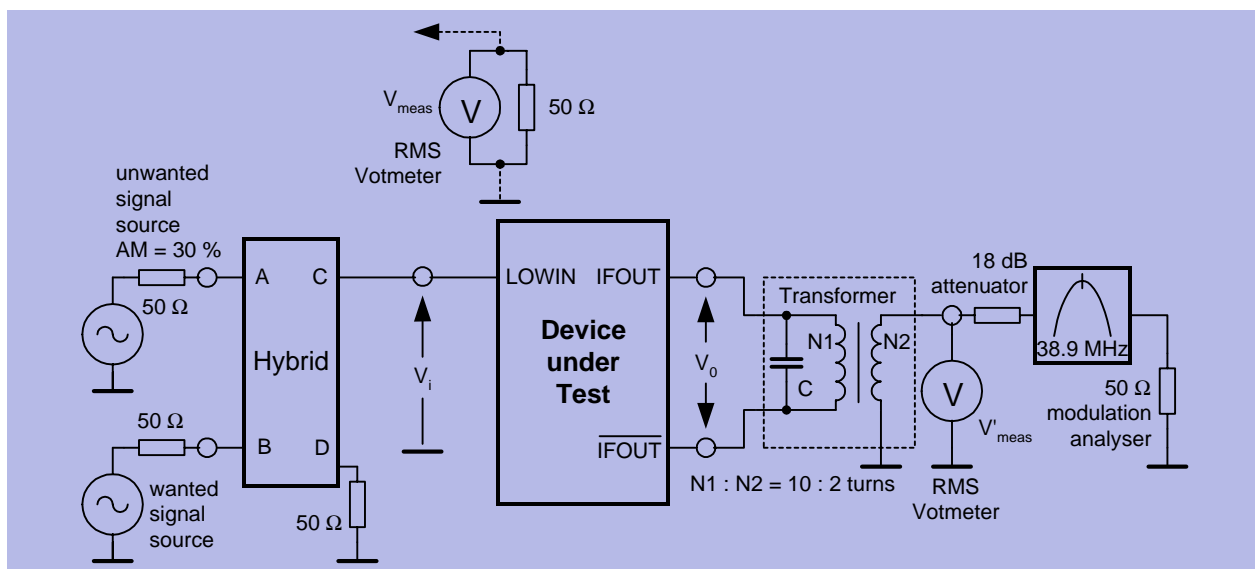
NFVHF

5.5.5 Noise figure (NF) measurement in MID and HIGH bands



NFUHF3

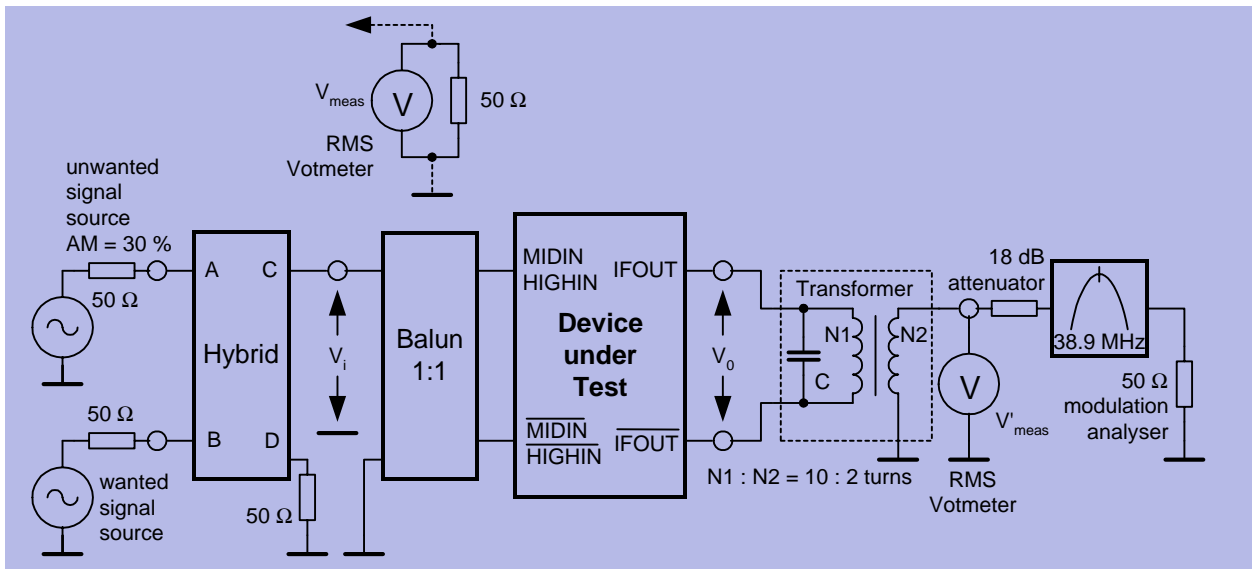
5.5.6 Cross modulation measurement in LOW band



XVHF

- $Z_i \gg 50 \Omega \Rightarrow V_i = 2 \times V_{meas}$
- $V'_{meas} = V_0 - 16 \text{ dB}$ (transformer ratio N1:N2 and transformer loss)
- wanted output signal at f_{pix} , $V_0 = 100 \text{ dB}\mu\text{V}$
- unwanted output signal at f_{snd}

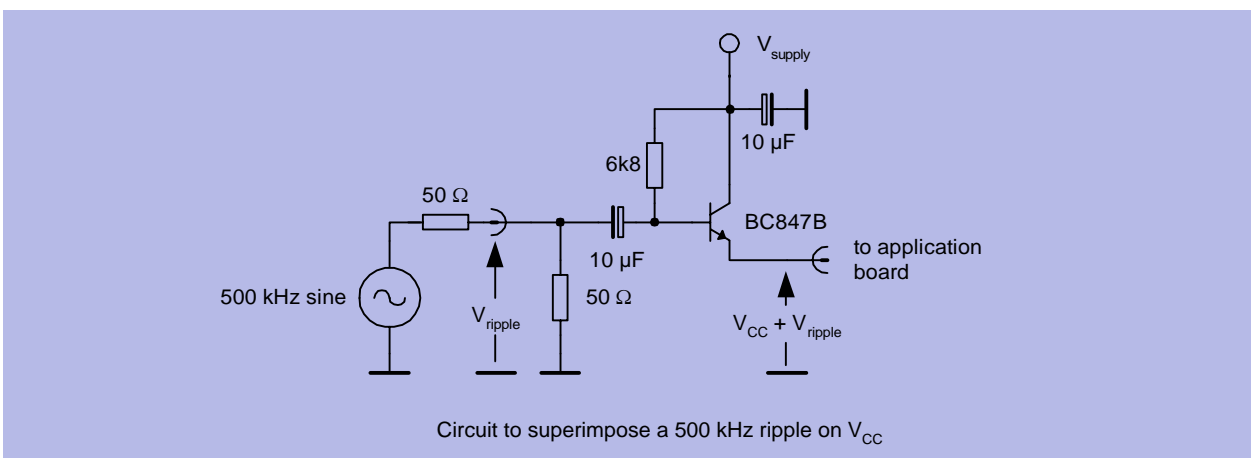
5.5.7 Cross modulation measurement in MID and HIGH bands



XUHF3

- $V'_{meas} = V_0 - 16 \text{ dB}$ (transformer ratio $N1:N2$ and transformer loss)
- wanted output signal at f_{pix} , $V_0 = 100 \text{ dB}\mu\text{V}$
- unwanted output signal at f_{snd}

5.5.8 Ripple susceptibility measurement



RIP